



# Quantum

## PARTS CATALOGUE

Issue 2 – 23.01.02

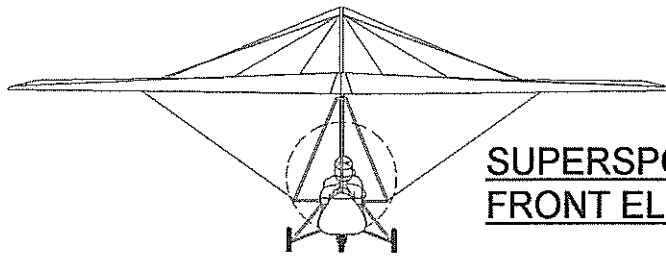


Pegasus Aviation, Elm Tree Park, Manton, Marlborough, Wiltshire SN8 1PS, UK  
Telephone: +44 (0)1672 861578 Fax: +44 (0) 1672 861550  
sales@pegasusaviation.co.uk www.pegasusaviation.co.uk

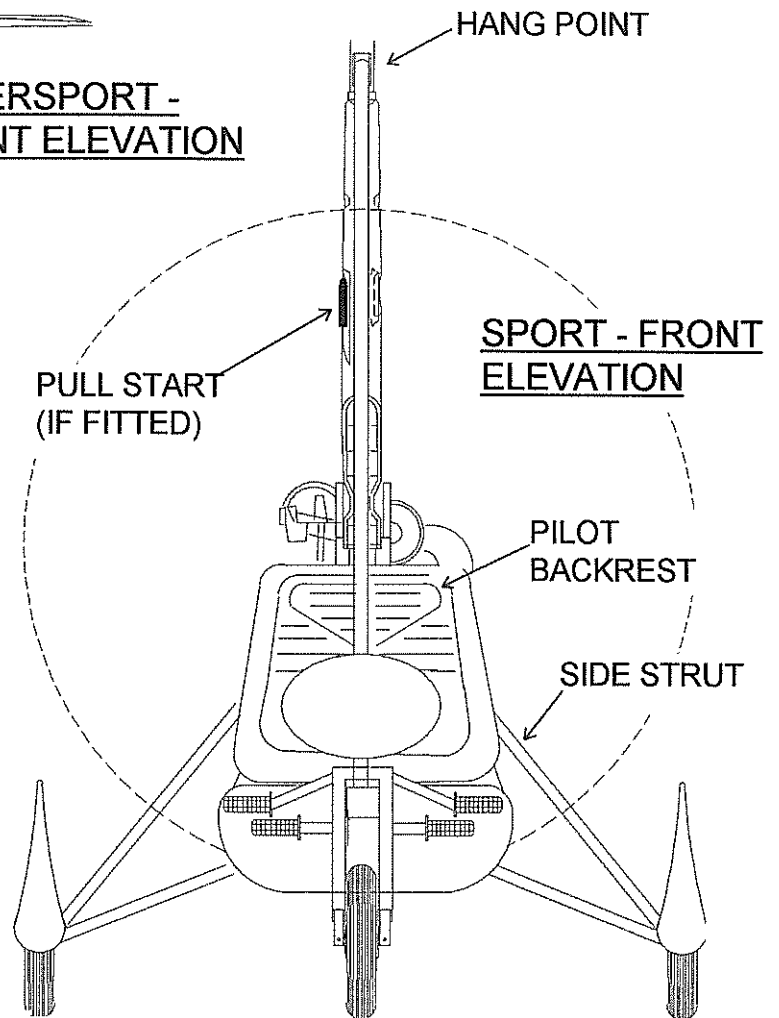
# CONTENTS

<b>GENERAL ARRANGEMENT</b>	<b>2-3</b>
<b>COMMON AIRFRAME</b>	<b>4-23</b>
BASETUBE	4-5
PYLON	6-7
MAIN SUBFRAME/REAR UNDERCARRIAGE	8-11
FRONT UNDERCARRIAGE	12-13
REAR STEERING	14,15
FRONT STRUT	14,15
SEAT	16-18
BRAKES	19,20
SEAT BELTS	19,20
FAIRINGS	21-23
<b>582/503/462 POWERED AIRCRAFT</b>	<b>24-41</b>
582/503/462 FUEL SYSTEM	24-26
582/503/462 THROTTLE AND CHOKE	27
582 ELECTRIC START	28
582/503/462 ELECTRICAL	29-30
582/503/462 PROPELLER	31
582 POWERPLANT	32-35
503 POWERPLANT	36-37
462 POWERPLANT	38-41
<b>912 POWERED AIRCRAFT</b>	<b>42-55</b>
912 FUEL SYSTEM	42-43
912 THROTTLE AND CHOKE	44-45
912 ELECTRICAL	46-47
912 PROPELLER	48
912 POWERPLANT	49-55
<b>HKS POWERED AIRCRAFT</b>	<b>56-70</b>
HKS FUEL SYSTEM	56-58
HKS THROTTLE AND CHOKE	59-60
HKS CARB HEAT COVER	61-62
HKS ELECTRICS MOUNTING PLATE	63
HKS ELECTRICAL	64-65
HKS PROPELLER	66
HKS POWERPLANT	67-70
<b>GENERAL</b>	<b>71-73</b>
PLACARDS	71
INSTRUMENTS	72
KITS	73

# GENERAL ARRANGEMENT



SUPERSPORT -  
FRONT ELEVATION



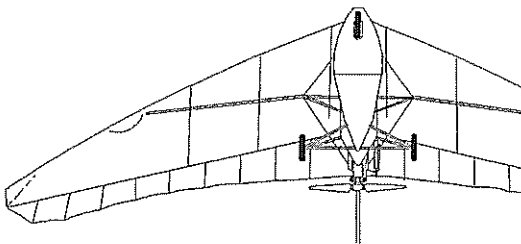
HANG POINT

PULL START  
(IF FITTED)

SPORT - FRONT  
ELEVATION

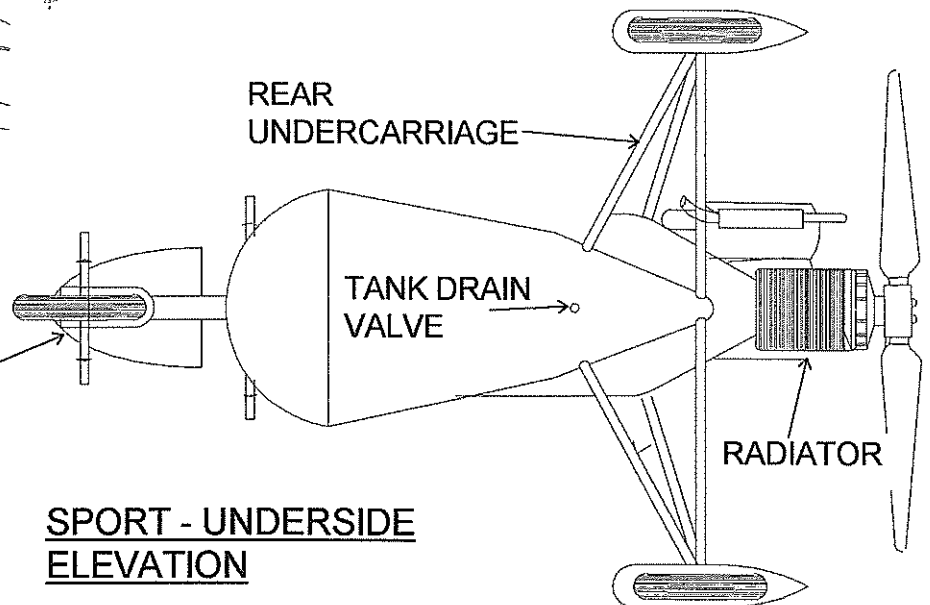
PILOT  
BACKREST

SIDE STRUT



SUPERSPORT -  
UNDERSIDE ELEVATION

FRONT  
UNDERCARRIAGE

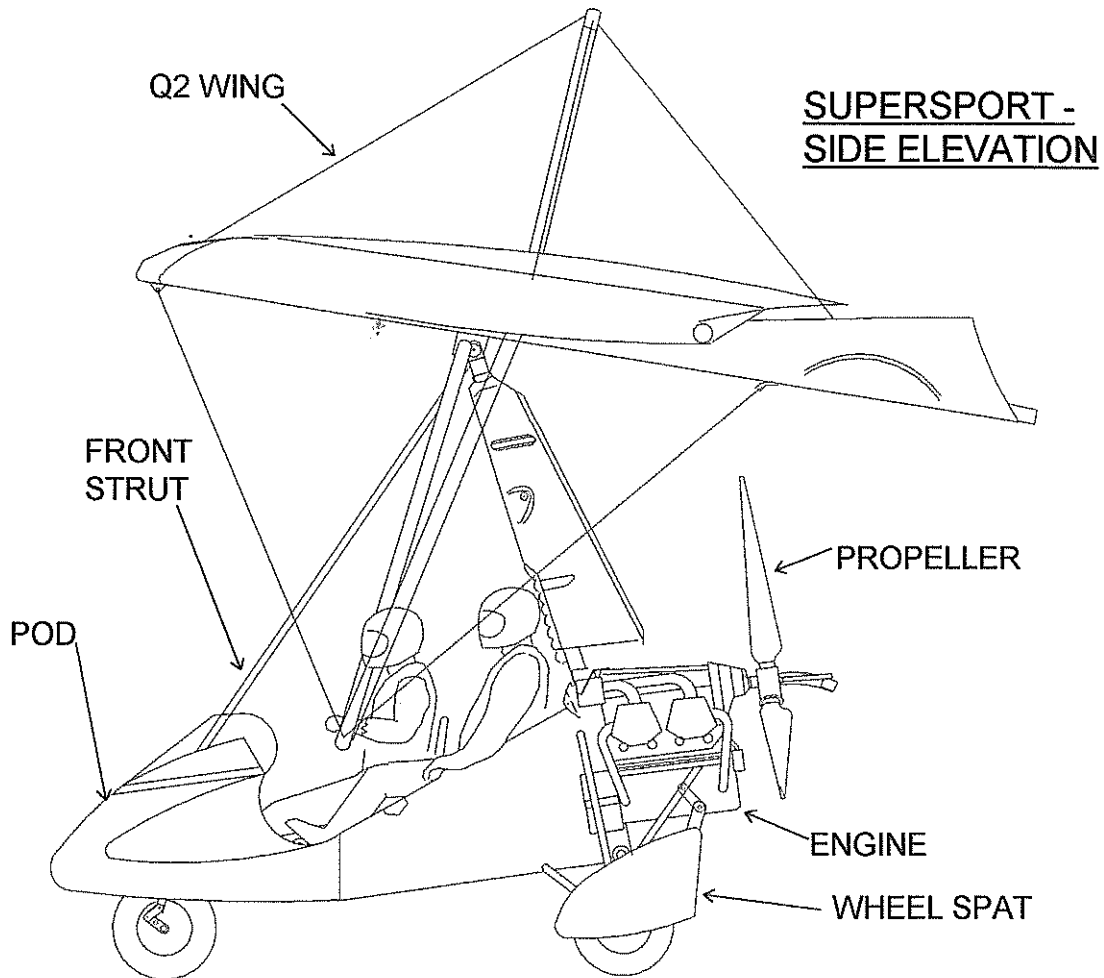
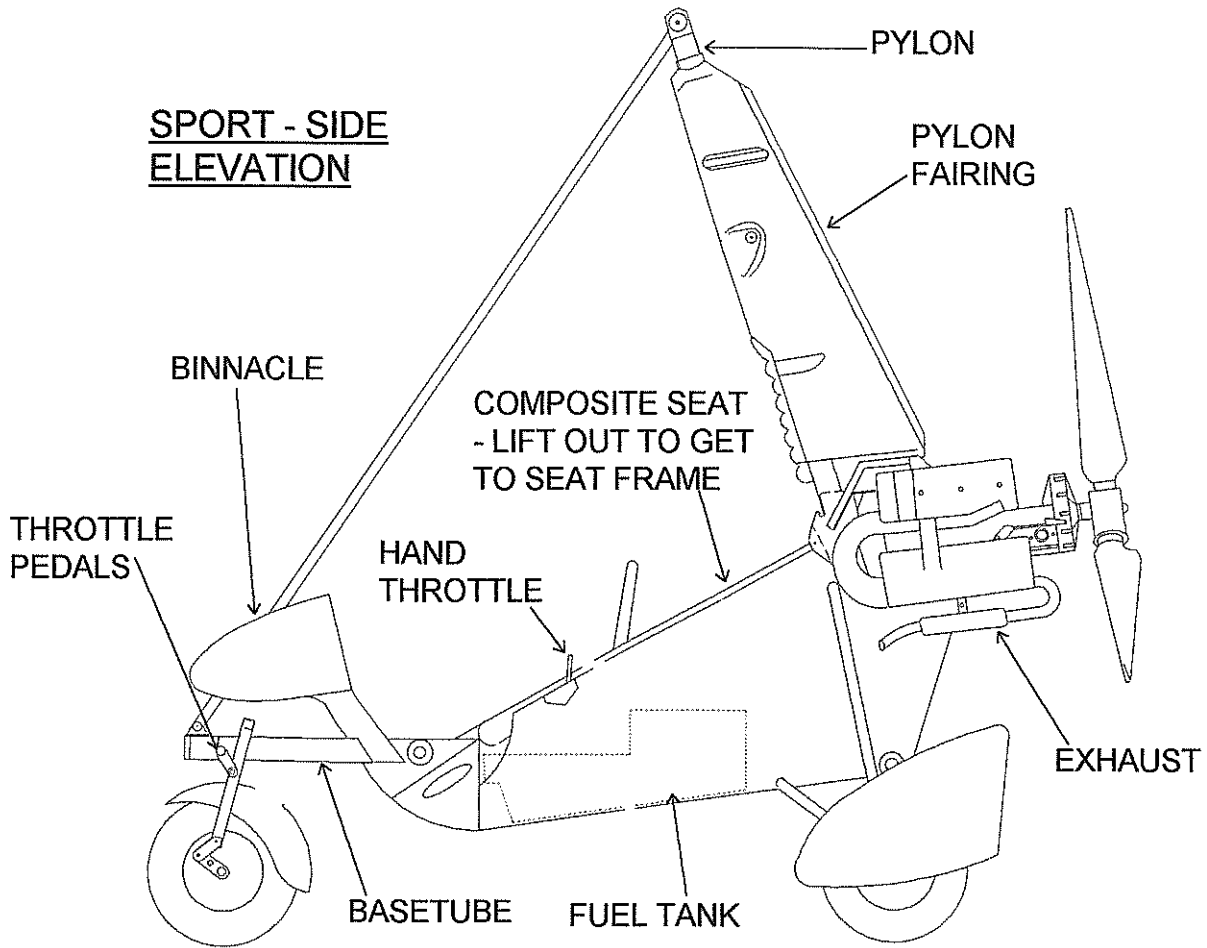


REAR  
UNDERCARRIAGE

TANK DRAIN  
VALVE

RADIATOR

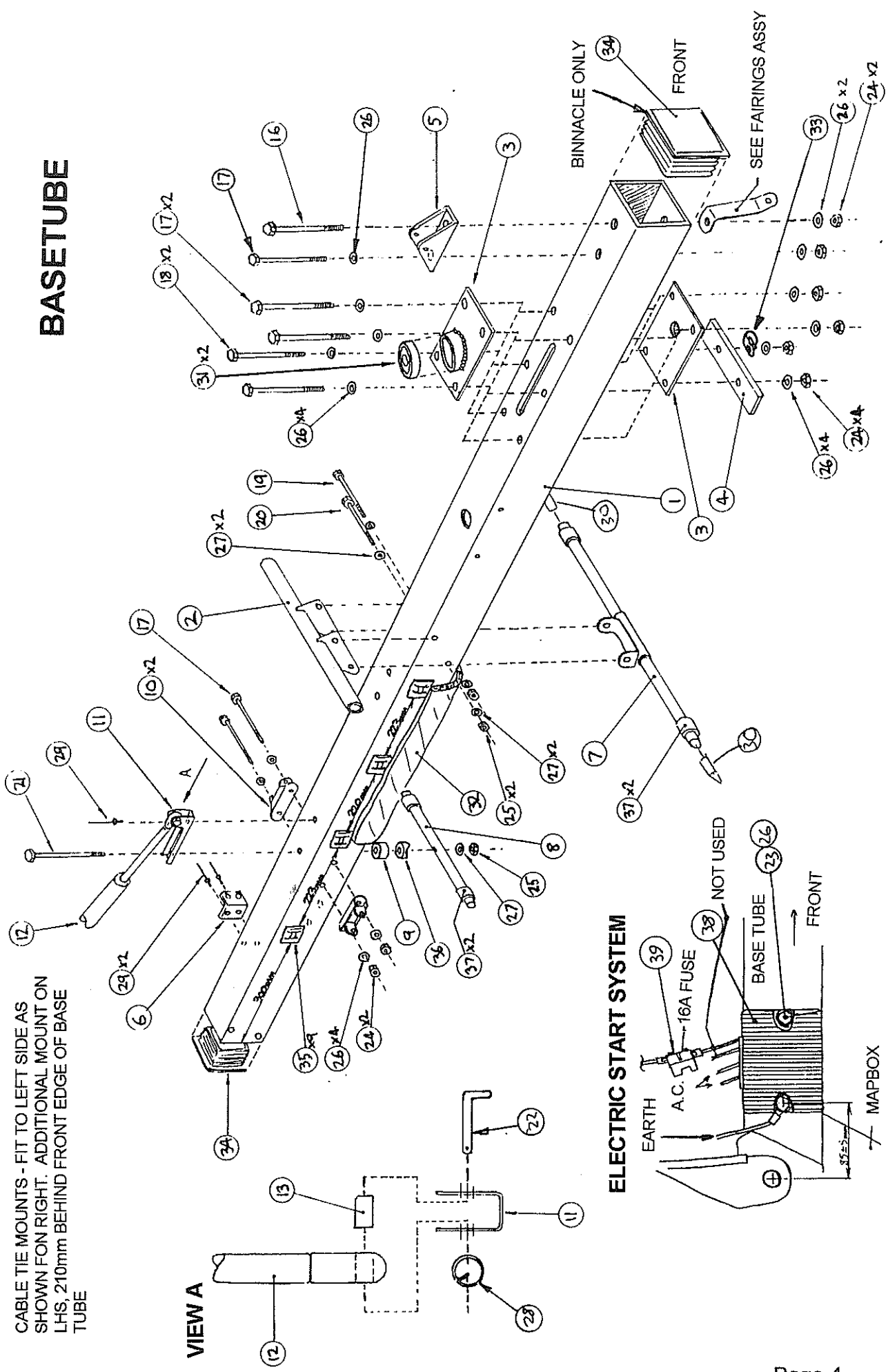
SPORT - UNDERSIDE  
ELEVATION



# BASE TUBE

CABLE TIE MOUNTS - FIT TO LEFT SIDE AS SHOWN FOR RIGHT. ADDITIONAL MOUNT ON LHS, 210mm BEHIND FRONT EDGE OF BASE TUBE

## VIEW A

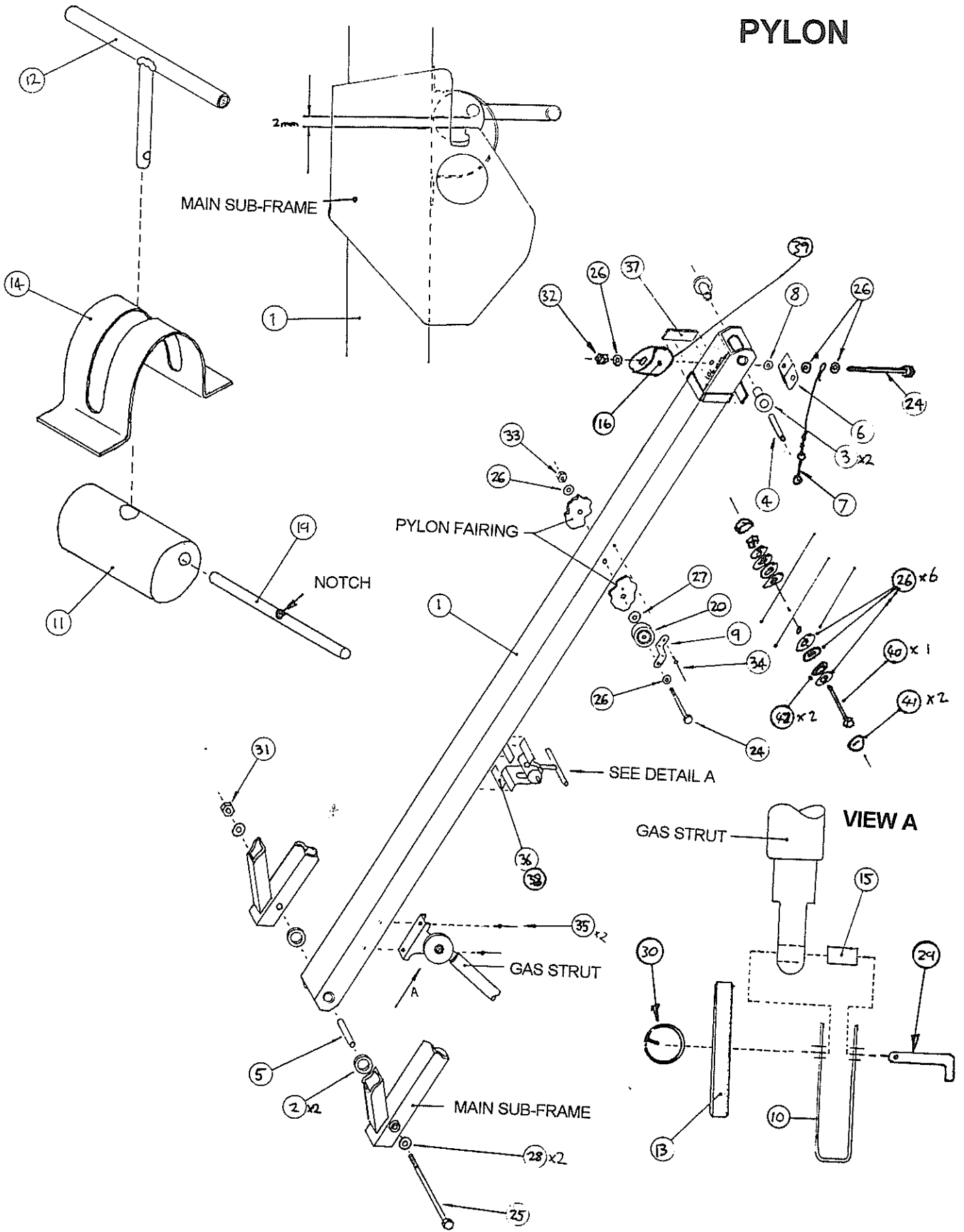


## BASETUBE

ITEM	PART NUMBER	DESCRIPTION
1	TQB-11100	BASE TUBE
2	TQU-13340	SEAT BASE BRACKET
3	TQU-19610	STEERING HEAD PLATE
4	ZMP-019	STEERING STOP
5	ZCH-012	FRONT STRUT CHANNEL LOWER
6	ZAN-003	BRAKE CABLE BRACKET
7	TQU-17610	FUEL TANK BRACKET/TUBE
8	TQU-17620	FUEL TANK REAR SUPPORT TUBE
9	ZMP-032	FUEL TANK REAR SUPPORT SPACER
10	ZMS-169	DRAG LINK CHANNEL
11	ZMS-174	GAS STRUT CHANNEL LOWER
12	HGS-001	GAS STRUT (NOT ON BASIC OR LITE)
13	ZBB-006	BUSH
16	FBM6-75	M6 x 75mm HEX HT BOLT
17	FBM6-60	M6 x 60mm HEX HT BOLT
18	FBM6-85	M6 x 85mm HEX HT BOLT
19	FBM6-80	M6 x 80mm HEX HT BOLT
20	FBM6-85	M6 x 85mm HEX HT BOLT
21	FBM8-120	M8 x 120mm HEX HT BOLT
22	FP-005	QUICK PIN
23	FBM6-16	M6 x 16mm HEX HT BOLT
24	FNM6-NT	6mm T TYPE NYLOC NUT
25	FNM8-NT	8mm T TYPE NYLOC NUT
26	FW4-T3	1/4" WASHER T3LP
27	FWM8-B	8mm WASHER FORM B
28	FPSR-001	5/8" SAFETY RING
29	FR6-12-002	3/16" DIA x 3/8" AVDEL RIVET
30	ZMP-075	BASIC POD SUPPORT (503/912 ONLY)
31	BEA-BB-2	6300-2RS-C99 BEARING
32	PTM19-001	22mm x 13mm ACOTUBE
33	HCC-003	1/2" NYLON P CLIP
34	PES-001	2.5" SQUARE END PLUG
35	HTM-001	CABLE TIE MOUNT LARGE
36	PMS-M8-11	1.125" x M8 PLASTIC SADDLE
37	ZSP-057	RUBBER SPACER
38	264 870	RECTIFIER REGULATOR (ELECTRIC START ONLY)
39	LF-004	3M 972 FUSE HOLDER (ELECTRIC START ONLY)

DETAIL A

PYLON

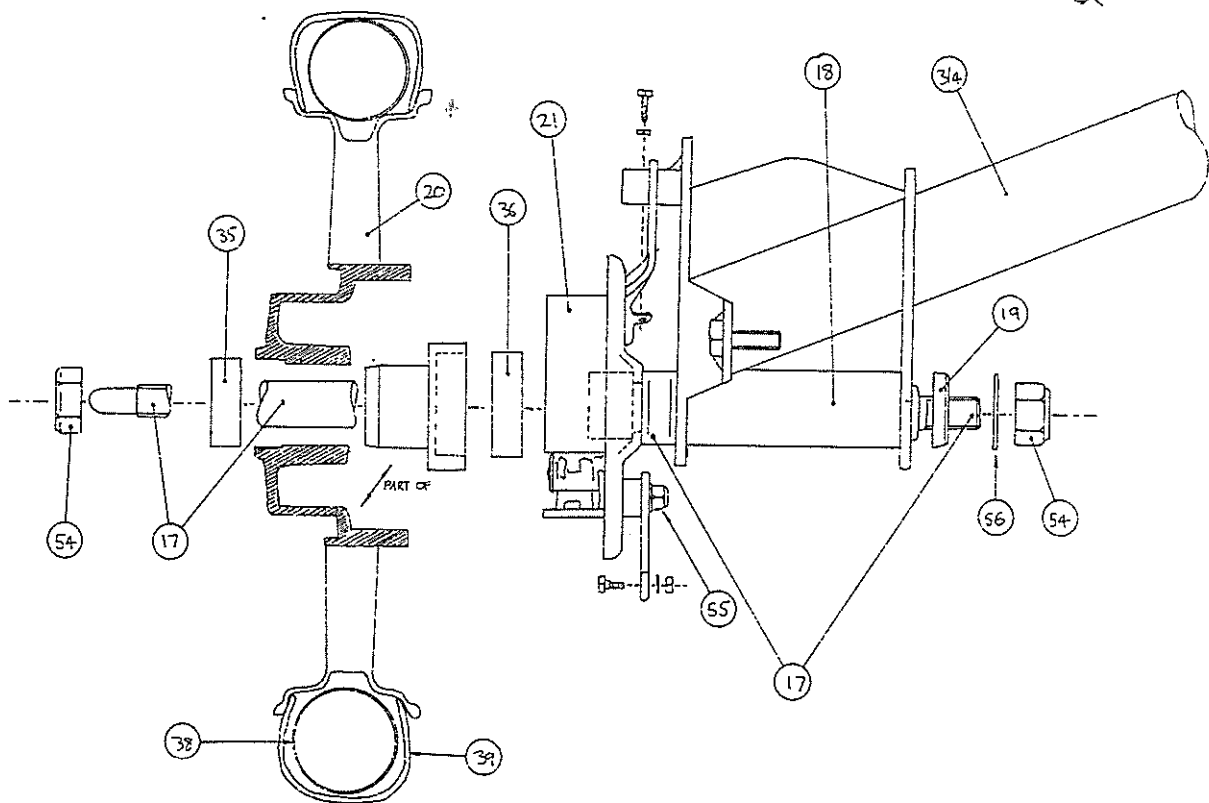
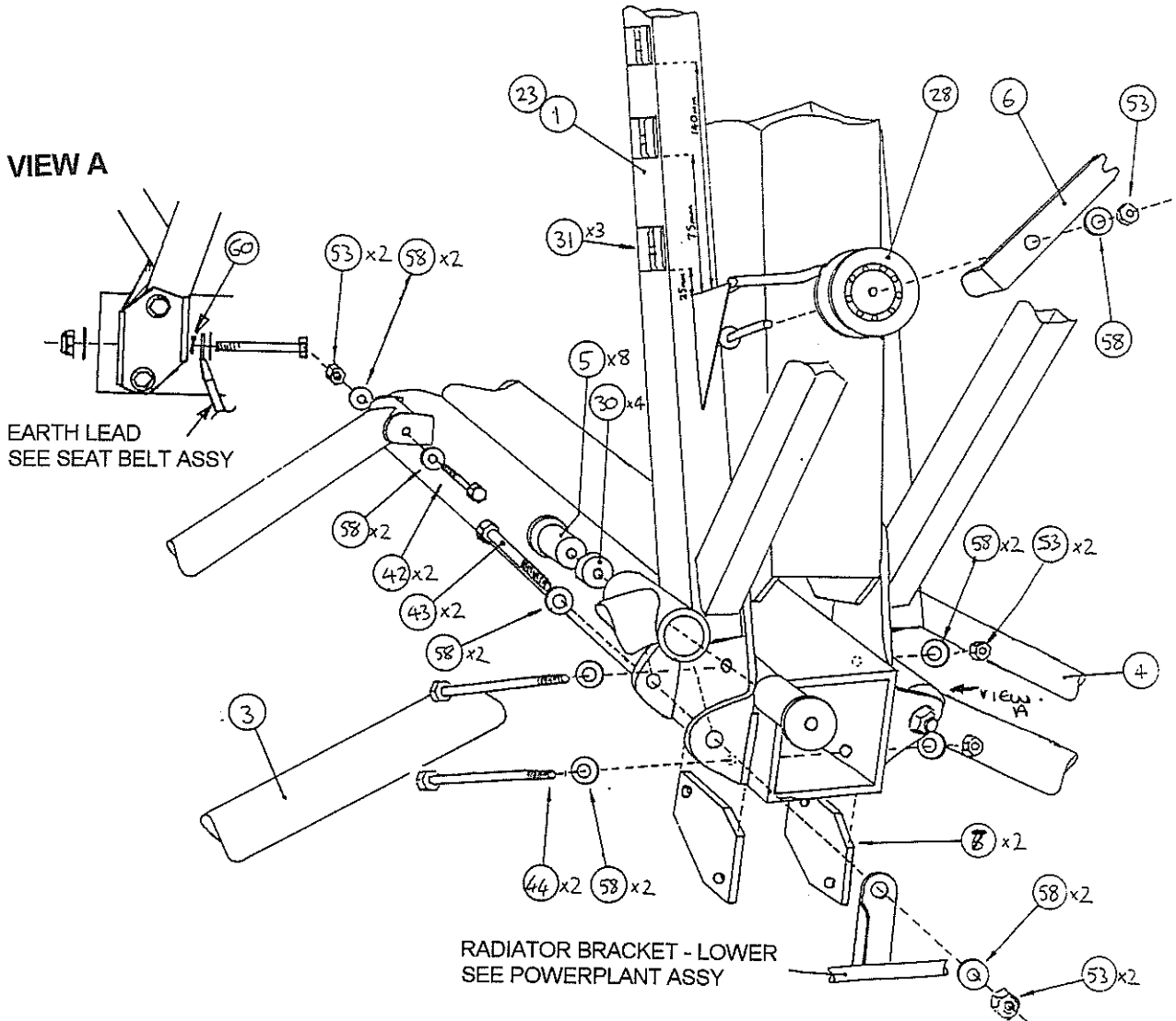


# PYLON

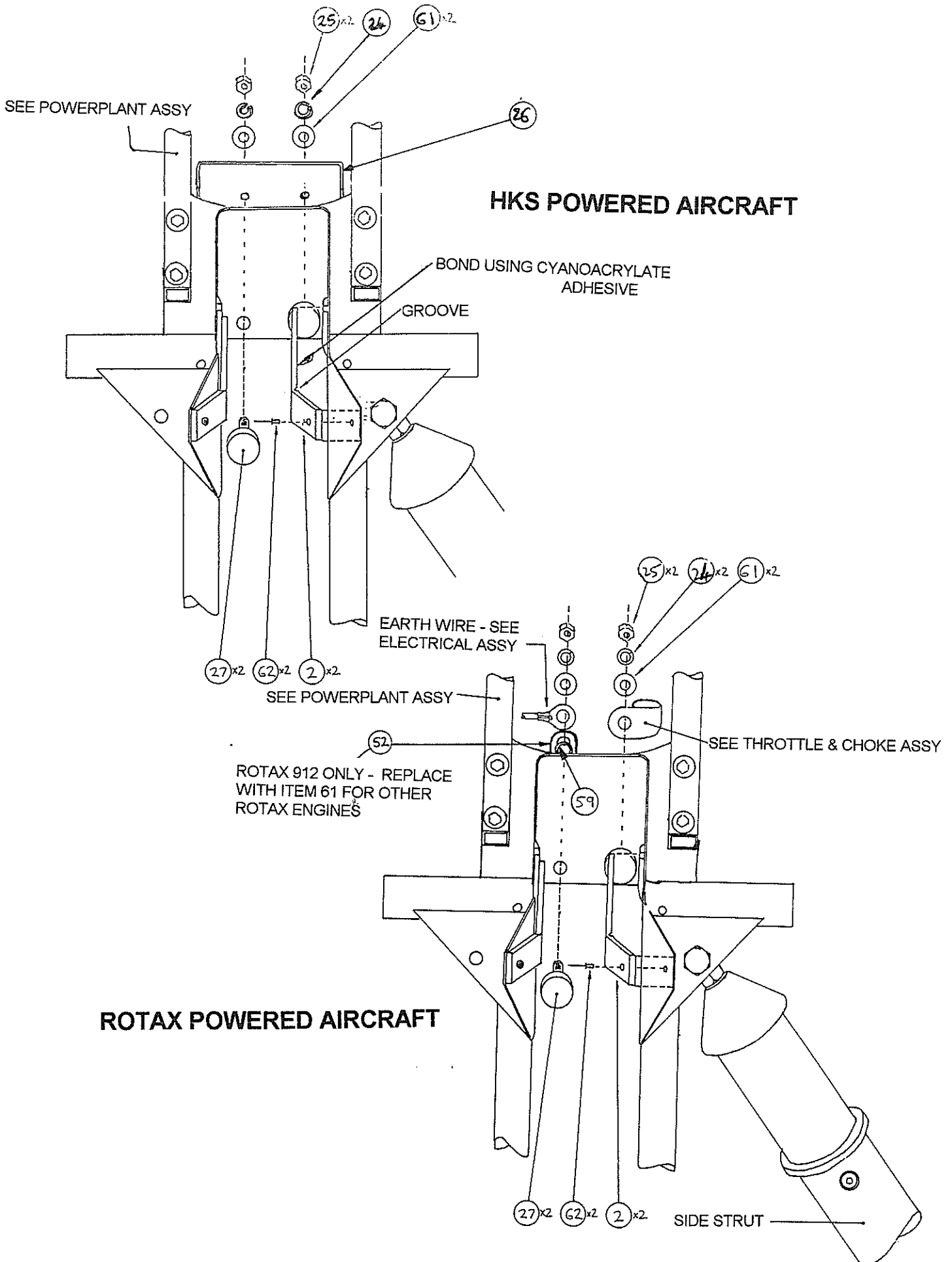
ITEM	PART NUMBER	DESCRIPTION
1	TQB-10100	QUANTUM PYLON COMPLETE
2	ZMP-018	PYLON LOWER FACE BEARING
3	ZMP-016	PYLON UPPER FACE BEARING
4	ZBB-003	PYLON UPPER FACE BEARING BUSH
5	ZMP-017	PYLON LOWER PIVOT BUSH
6	ZCH-011	FRONT STRUT CHANNEL UPPER
7	TQU-10250	UPPER KEEP PIN ASSEMBLY
8	ZMP-013	MYLAR WASHER
9	ZMS-181	PULLEY GUARD UPPER (PULL START ONLY)
10	ZMS-175	GAS STRUT CHANNEL UPPER
11	ZMP-058	OVERCENTRE ROLLER
12	ZMS-176	OVERCENTRE HANDLE
13	ZMP-065	STOP WHEEL
14	ZMS-183	OVERCENTRE CAGE
15	ZBB-006	BUSH
16	ZMP-070	WING RIGGING STOP
19	FPM8-90	CASE HARD JIG PIN 8 x 90mm
20	RP-16	PLASTIC PULLEY HA1886 (PULL START ONLY)
24	FBM8-100	M8 x 100mm HEX HT BOLT
25	FBM10-160	M10 x 160mm HEX HT BOLT
26	FWM8-B	8mm FORM B WASHER
27	FW5-10	5/16" x 1" MILD STEEL WASHER (PULL START ONLY)
28	FWM10-B	10mm FORM B WASHER
29	FP-005	QUICK PIN
30	FPSR-001	5/8" SAFETY RING
31	FNM10-NT	10mm T TYPE NYLOC NUT
32	FNM8-NP	8mm P TYPE NYLOC NUT
33	FNM8-NT	8mm T TYPE NYLOC NUT
34	FR6-12-001	3/16" DIA x 3/8" MONEL RIVET (PULL START ONLY)
35	FR6-12-002	3/16" DIA x 3/8" AVDEL RIVET
36	VW50-004	SELF ADHESIVE VELCRO LOOP (60mm)
37	PSS-001	SINGLE SIDED FOAM BLACK (4 x 64mm)
38	VW50-044	SELF ADHESIVE VELCRO HOOK (30mm)
39	DTM25-001	VHB TAPE (50mm)
40	FBM8-85	M8 x 85mm HEX HT BOLT (912, HKS & E/START ONLY)
41	PMC-RSC10	10mm SKIFFY CAP (912, HKS & E/START ONLY)
42	PMC-SB10	10mm SKIFFY WASHER (912, HKS & E/START ONLY)



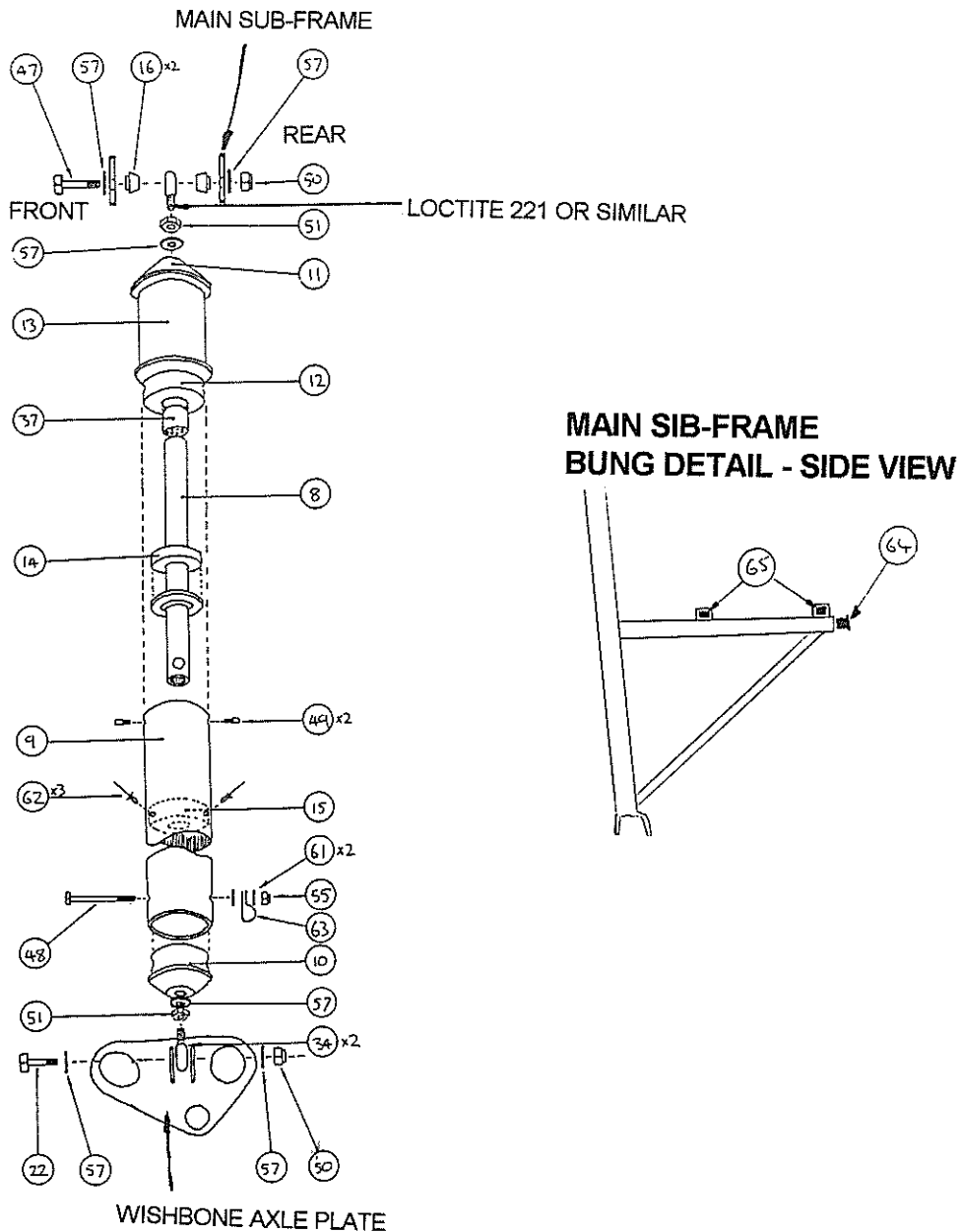
# MAIN SUBFRAME/REAR UNDERCARRIAGE



# MAIN SUBFRAME/REAR UNDERCARRIAGE



# MAIN SUBFRAME/REAR UNDERCARRIAGE

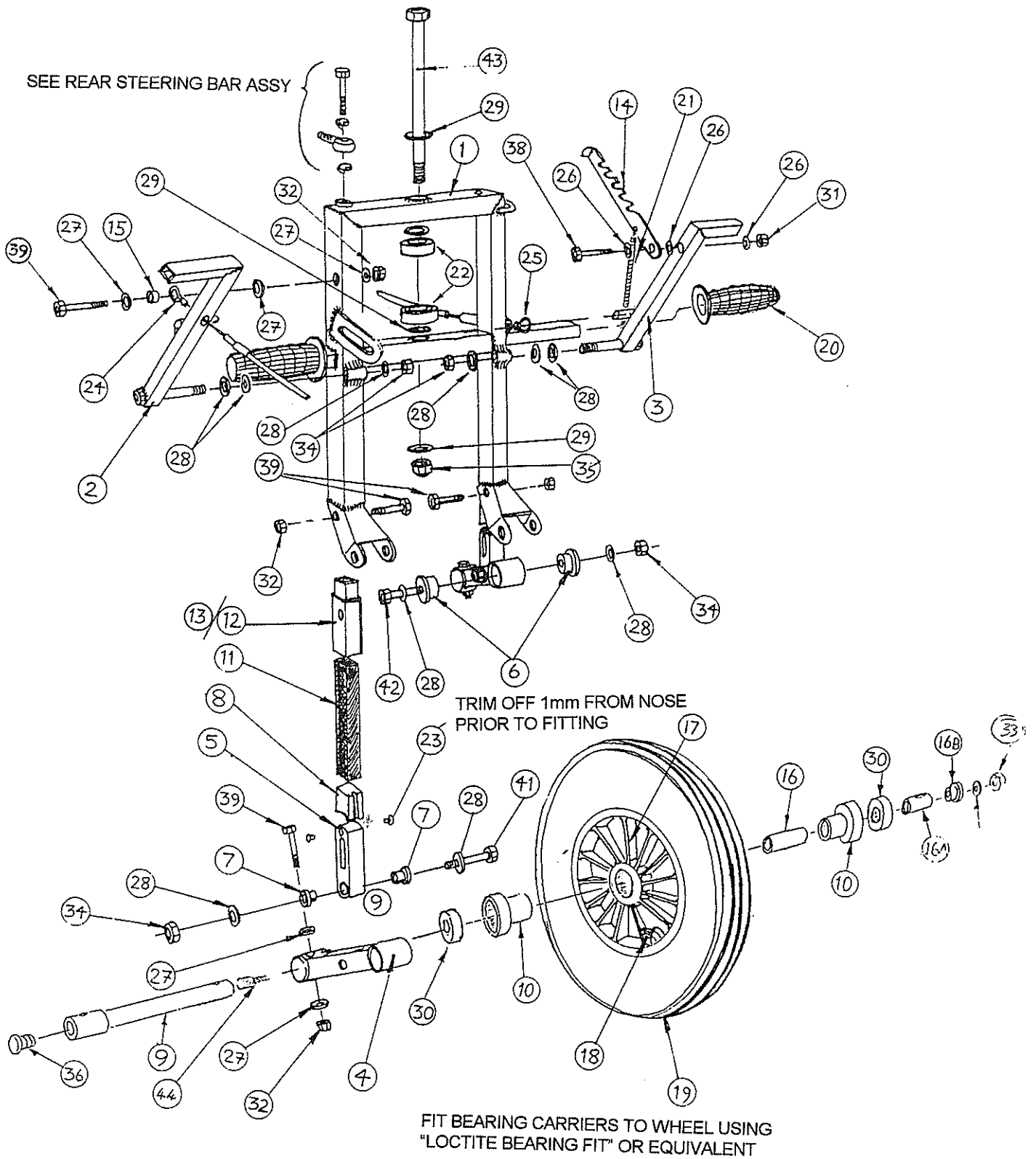


# MAIN SUBFRAME/REAR UNDERCARRIAGE

ITEM	PART NUMBER	DESCRIPTION
1	ZMS-167	MAIN SUB-FRAME (462, 503, 582 ONLY)
2	ZMP-074	GUIDE BEARING
3	ZMS-170	LEFT WISHBONE
4	ZMS-171	RIGHT WISHBONE
5	ZMP-030	TRAILING LINK BEARING
6	ZMS-178	PULLEY GUARD LOWER (PULL START ONLY)
7	ZMP-061	PACKER
8	ZMS-166	SUSPENSION GUIDE TUBE
9	TQB-14230	SIDE STRUT
10	ZMA-058	LOWER CONNECTOR

11	ZMA-059	SPRING CUP UPPER
12	ZMA-057	SPRING CUP LOWER
13	ZMP-066	REAR SUSPENSION RUBBER
14	ZMP-068	REAR SUSPENSION STOP
15	ZMP-064	GUIDE BEARING
16	ZMA-063	ROD END SPACER
17	ZMS-173	STUB AXLE
18	ZMA-061	AXLE SPACER
19	ZMA-062	CLAMPING CAP
20	WW-007	MODIFIED WHEEL
21	WW-008	BRAKE BACKPLATE (MODIFIED)
22	ZMS-182	SIDE STRUT CONNECTING BOLT
23	ZMS-253	MAIN SUB-FRAME (912, HKS ONLY)
24	FWM6-SW	M6 SPRING WASHER
25	FNM6-G8	M6 PLAIN NUT
26	ZPL-130	ELECTRICS MOUNTING PLATE
27	EVI-003	BONDED FEET M6
28	RP-16	PLASTIC PULLEY HA1886 (PULL START ONLY)
29	FWP-001	6.5ID x 22.25OD NYLON WASHER
30	FWP-003	5mm SPACER (05-10-22-05)
31	HTM-001	CABLE TIE MOUNT LARGE
34	BEA-RE-2	ROD END BEARING
35	BEA-BB-5	REAR WHEEL OUTER BEARING
36	BEA-BB-7	REAR WHEEL INNER BEARING
37	BEA-DX-2	PM 1625 DX BEARING
38	WTU-002	350-8 INNER TUBE
39	WTY-003	350-8 TYRE 4 PLY
42	FBM8-60	M8 x 60mm HEX HT BOLT
43	FBM8-65	M8 x 65mm HEX HT BOLT
44	FBM8-90	M8 x 90mm HEX HT BOLT
45	FMSU-001	10UNF x 3/8 BUTTON HEAD SCREW
46	FSM6-16	M6 x 16 HEX HT SET SCREW
47	FBM10-50	M10 x 50mm HEX HT BOLT
48	FBM6-55	M6 x 55mm HEX HT BOLT
49	FCM6-10	M6 x 10mm SOCKET CAP SCREW
50	FNM10-NT	10mm T TYPE NYLOC NUT
51	FNM10-G8	10mm FULL NUT
52	RT-4H	4 HOLE FLAT TANG (912 ONLY)
53	FNM8-NT	8mm T TYPE NYLOC NUT
54	FNM12-NT	12mm T TYPE NYLOC NUT
55	FNM6-NT	6mm T TYPE NYLOC NUT
56	FWM12-C	12mm FORM C WASHER
57	FWM10-B	10mm FORM B WASHER
58	FWM8-B	8mm FORM B WASHER
59	FWM6-SW	M6 SPRING WASHER (912 ONLY)
60	FWM8-SW	M8 SPRING WASHER
61	FW4-T3	1/4" T3LP WASHER (582, 462, 503 ONLY)
62	FR6-12-001	3/16" DIA x 3/8" MONEL POP RIVET
63	HCC-003	NYLON P CLIP
64	PEP-004	25 x 30mm END BUNG
65	PEP-005	20 x 20mm END BUNG

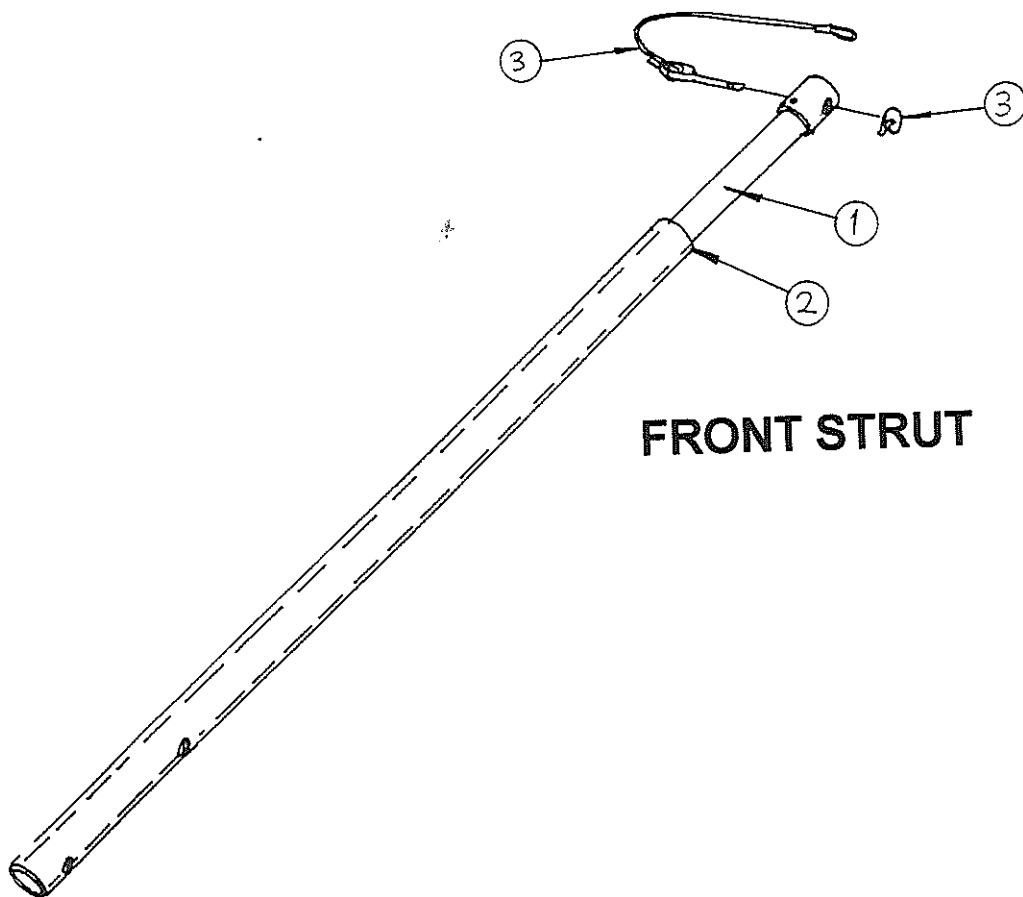
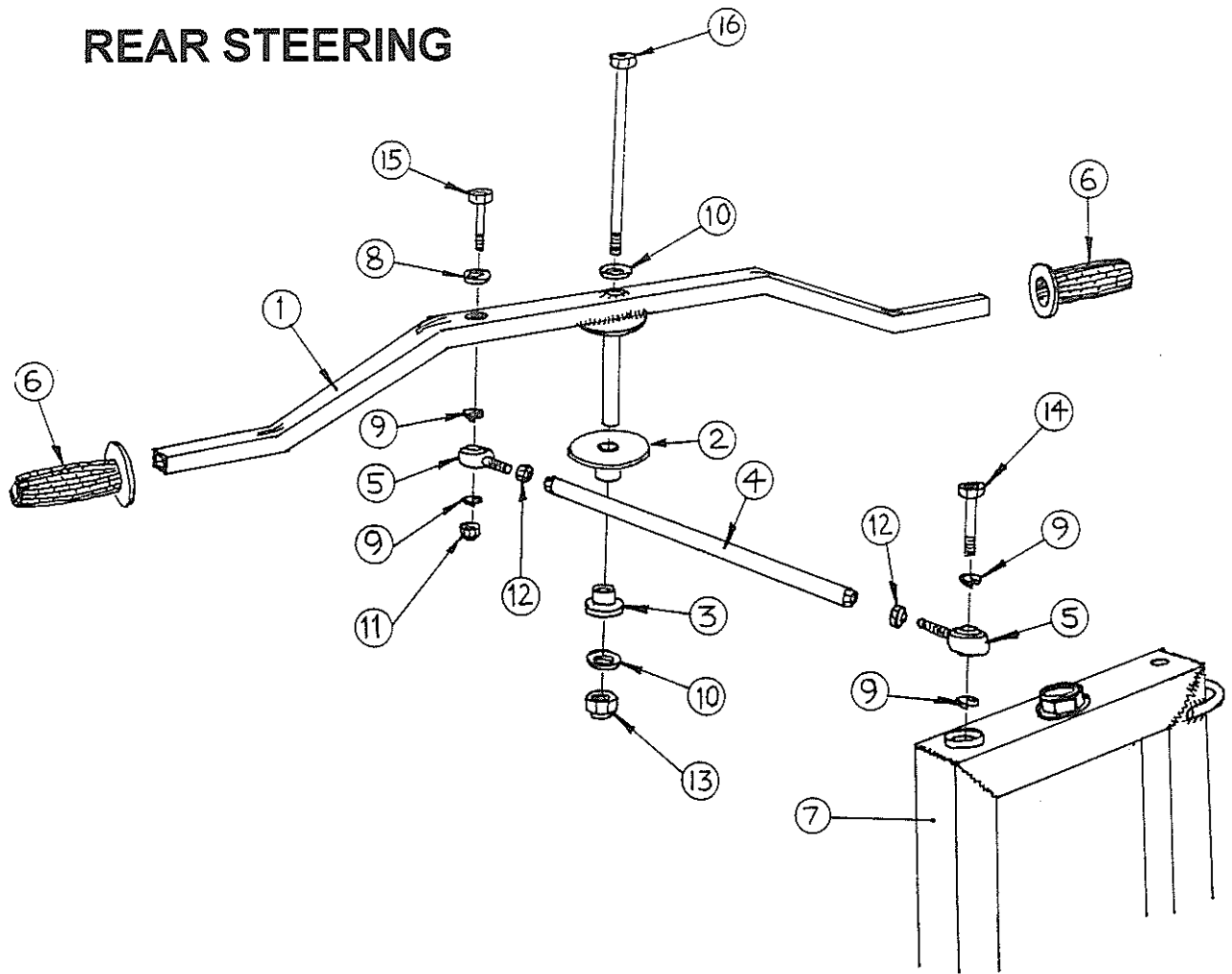
# FRONT UNDERCARRIAGE



## FRONT UNDERCARRIAGE

ITEM	PART NUMBER	DESCRIPTION
1	TQU-19510	FRONT FORKS
2	TQU-19590	THROTTLE PEDAL
3	TQU-19592	BRAKE PEDAL (IF BRAKES FITTED)
4	TQU-19520	TRAILING LINK
5	ZMA-024	PUSH ROD
6	ZMP-030	TRAILING LINK BEARING
7	ZMP-034	PUSHROD BEARING
8	ZMP-033	FRONT SUSPENSION PISTON
9	ZMS-161	FRONT WHEEL AXLE
10	ZMA-046	BEARING CARRIER
11	ZMP-037	FRONT SUSPENSION RUBBER
12	ZMP-027	FRONT SUSPENSION PACKER (RIGHT HAND)
13	ZMP-026	FRONT SUSPENSION PACKER (LEFT HAND)
14	ZMS-119	PARKING BRAKE LEVER (IF BRAKES FITTED)
15	ZSP-031	THROTTLE CABLE BUSH
16	ZMA-051	BEARING SPACER
16A	ZMA-053	BEARING ADJUSTMENT TUBE
16B	ZMA-052	BEARING ADJUSTMENT CAP
17	WW-006	400 35 BORE WHEEL (WITHOUT BEARING)
18	WTU-003	350 x 8 INNER TUBE
19	WTY-003	350 x 8 4 PLY TYRE
20	PMM-007	NO 13 FOOT REST RUBBER
21	HS-004	BRAKE RETURN SPRING (IF BRAKES FITTED)
22	BEA-BB-2	6300-2RS BEARING
23	FMPC-001	WHITE PUSH CLIP
24	SEE RELEVANT SECTION	THROTTLE CABLE
25	SEE RELEVANT SECTION	BRAKE CABLE
26	FWM5-B	5mm FORM B WASHER
27	FW4-T3	1/4" T3LP WASHER
28	FWM8-B	8mm FORM B WASHER
29	FWM10-B	10mm FORM B WASHER
30	BEA-BB-6	6400-2RS BEARING
31	FNM5-NT	M5 T TYPE NYLOC NUT
32	FNM6-NT	M6 T TYPE NYLOC NUT
33	FNM8-NP	M8 P TYPE NYLOC NUT
34	FNM8-NT	M8 T TYPE NYLOC NUT
35	FNM10-NT	M10 T TYPE NYLOC NUT
36	PEP6-001	3/4" BLACK END PLUG
38	FBM5-30	M5 x 30mm HEX HT BOLT
39	FBM6-40	M6 x 40mm HEX HT BOLT
41	ZMF-008	TRAILING LINK/PUSH ROD BOLT
42	FBM8-55	M8 x 55mm HEX HT BOLT
43	FBM10-180	M10 x 180mm HEX HT BOLT
44	ZMS-070	FRONT AXLE EYEBOLT

# REAR STEERING



# FRONT STRUT

## REAR STEERING - OPTIONAL

ITEM	PART NUMBER	DESCRIPTION
1	TQU-19610	STEERING HEAD PLATE
2	ZMP-020	UPPER BEARING PAD
3	ZMP-021	LOWER BEARING
4	ZMS-180	STEERING LINK - SHORT STEERING POSITION
	ZMS-179	STEERING LINK - LONG STEERING POSITION
5	BEA-RE-1	M6 ROD END BEARING
6	PMM-007	FOOTREST RUBBER
7	TQU-19510	FRONT FORKS
8	FW4-T3	1/4" WASHER T3LP
9	FWM6-SW	6mm SPRING WASHER
10	FWM8-B	8mm FORM B WASHER
11	FNM6-NT	6mm T TYPE NYLOC NUT
12	FNM6-G8	6mm PLAIN FULL NUT
13	FNM8-NT	8mm T TYPE NYLOC NUT
14	FBM6-25	M6 x 25mm HEX HT BOLT
15	FBM6-40	M6 x 40mm HEX HT BOLT
16	FBM8-110	M8 x 110mm HEX HT BOLT

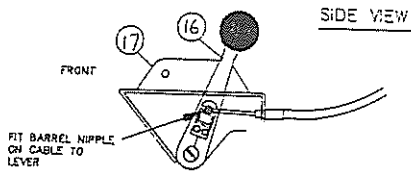
## FRONT STRUT

ITEM	PART NUMBER	DESCRIPTION
1	TQU-12400	FRONT STRUT UPPER
2	TQB-14240	FRONT STRUT OVERSLEEVE
3	TQU-10250	UPPER KEEP PIN ASSEMBLY

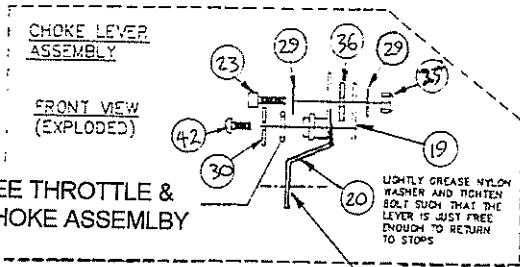
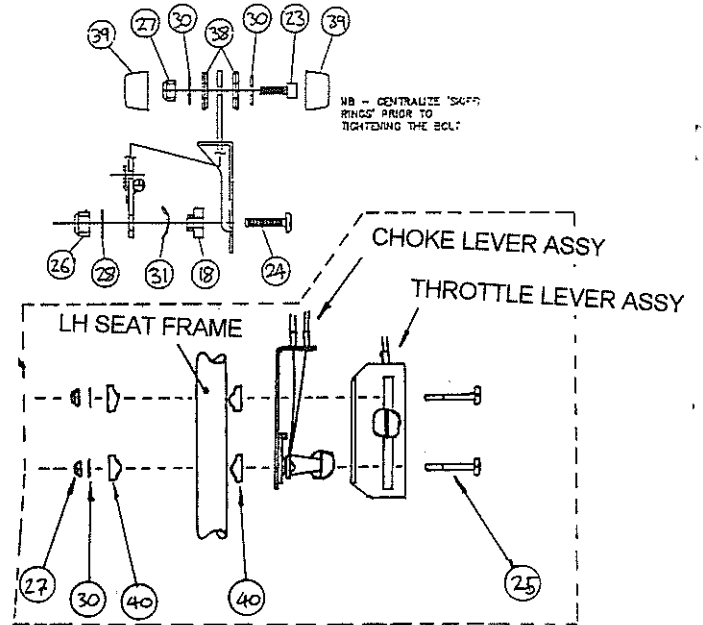


# SEAT

## THROTTLE LEVER ASSEMBLY



### FRONT VIEW (EXPLODED)

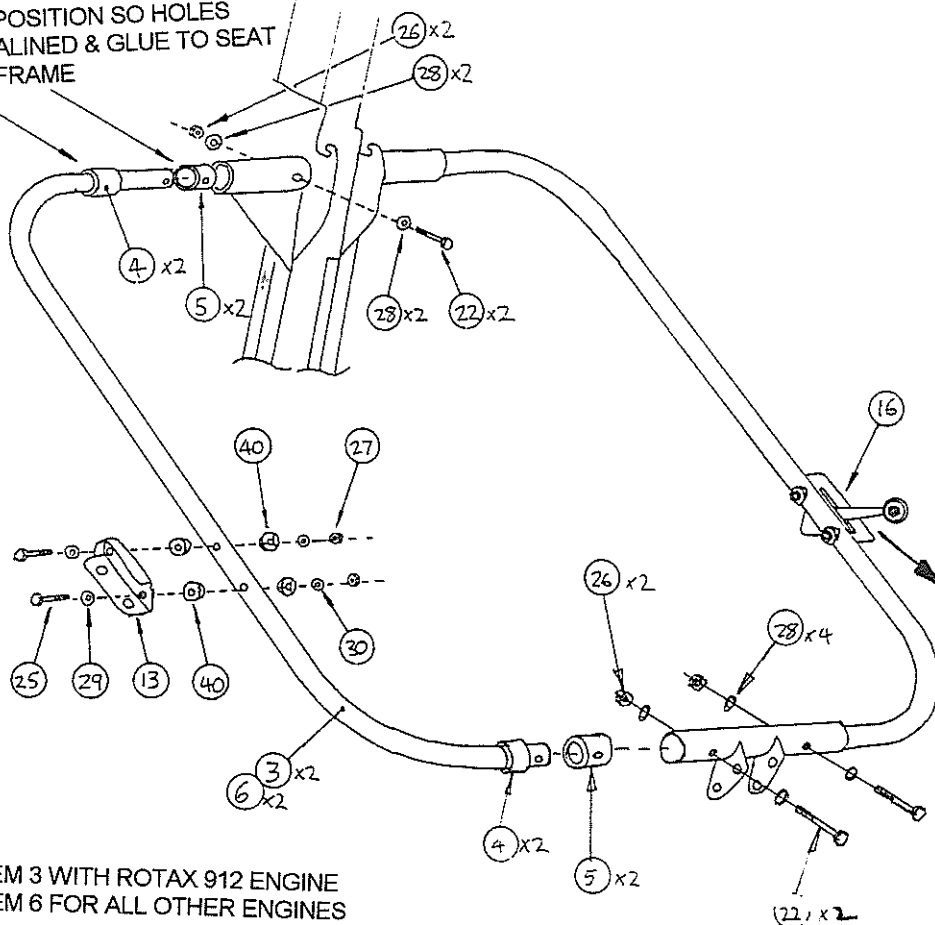


SEE THROTTLE & CHOKE ASSEMBLY

ASSEMBLE AS THROTTLE LEVER USING ITEMS 23, 27, 30, 38, 39

POSITION SO ONLY CHAMFERED PORTION PROTRUDES FROM SUB-FRAME TUBE IN SITU. GLUE WITH LOCTITE 499 GEL OR EQUIVALENT

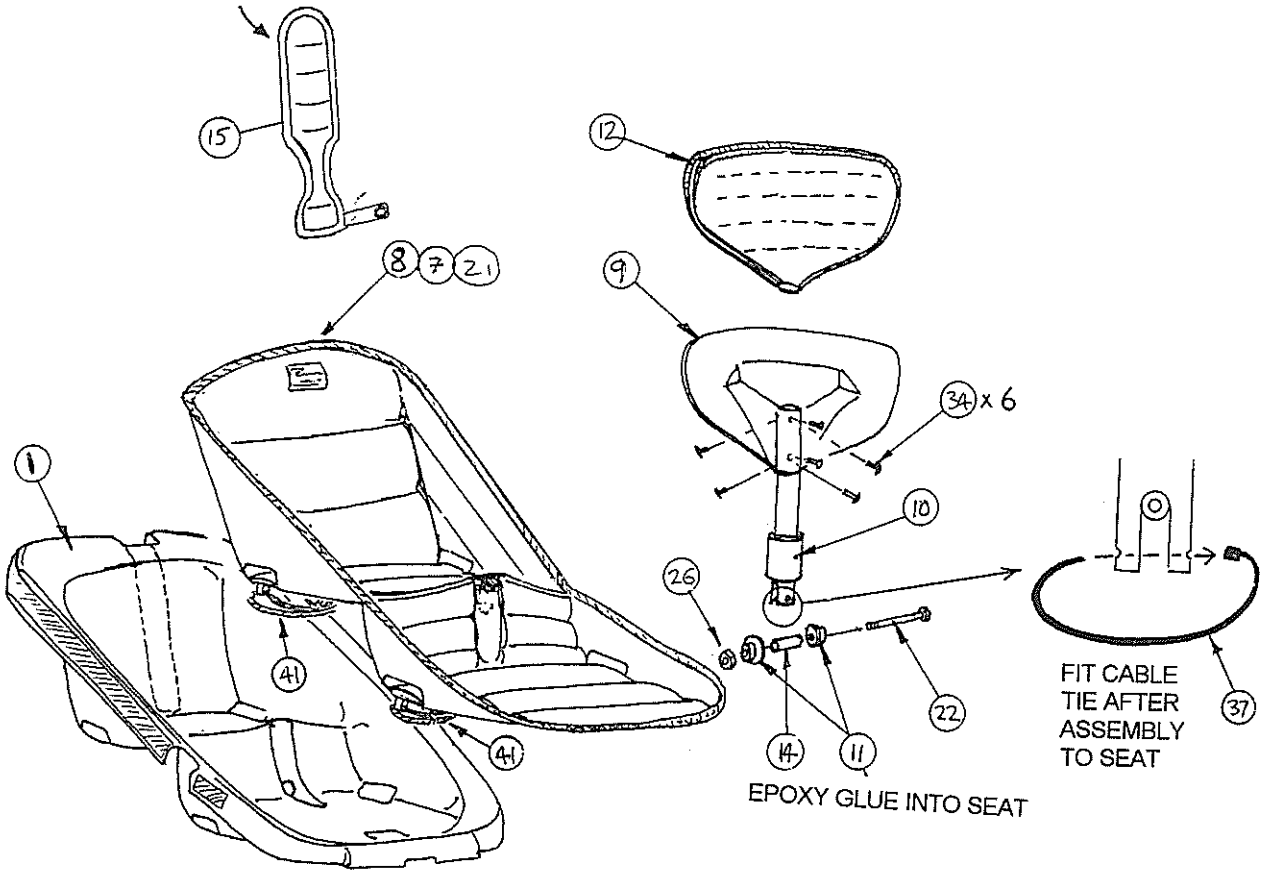
POSITION SO HOLES ALIGNED & GLUE TO SEAT FRAME



NOTE: USE ITEM 3 WITH ROTAX 912 ENGINE  
USE ITEM 6 FOR ALL OTHER ENGINES

# SEAT

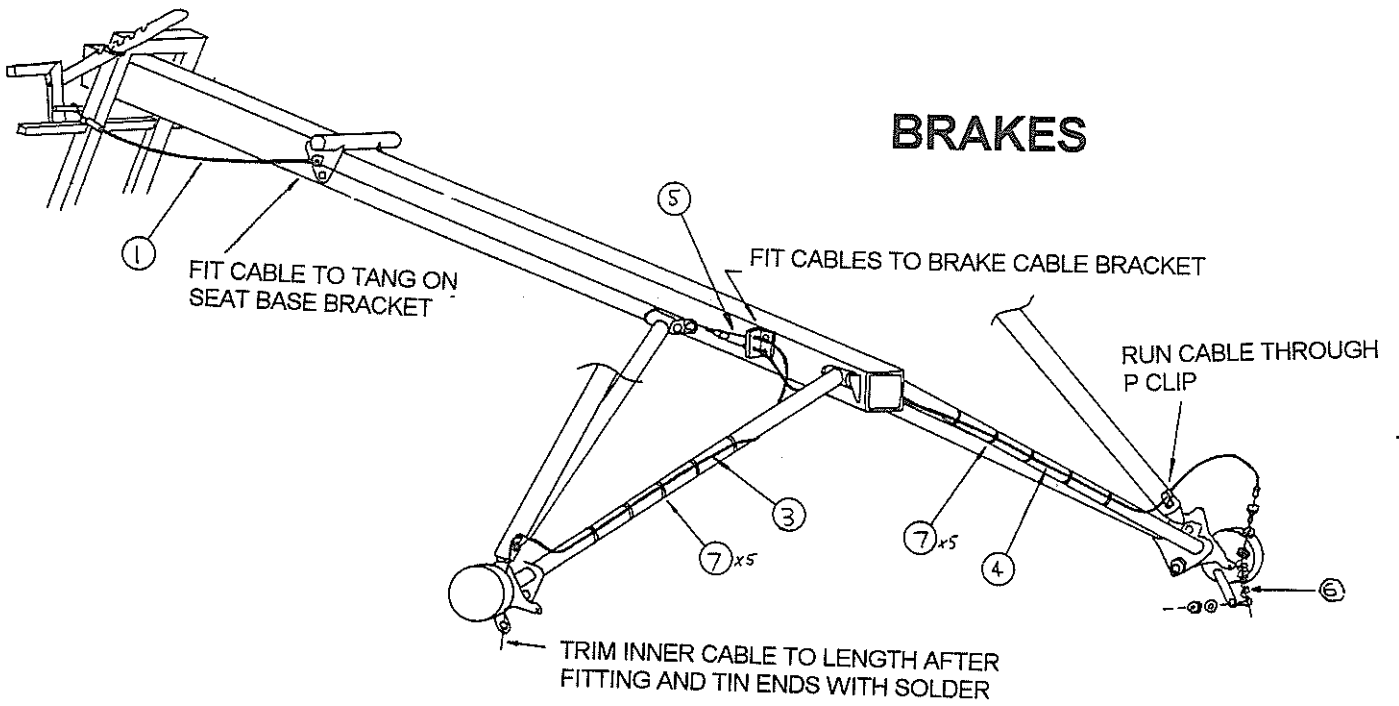
VELCRO REAR TO PYLON FAIRING



# SEAT

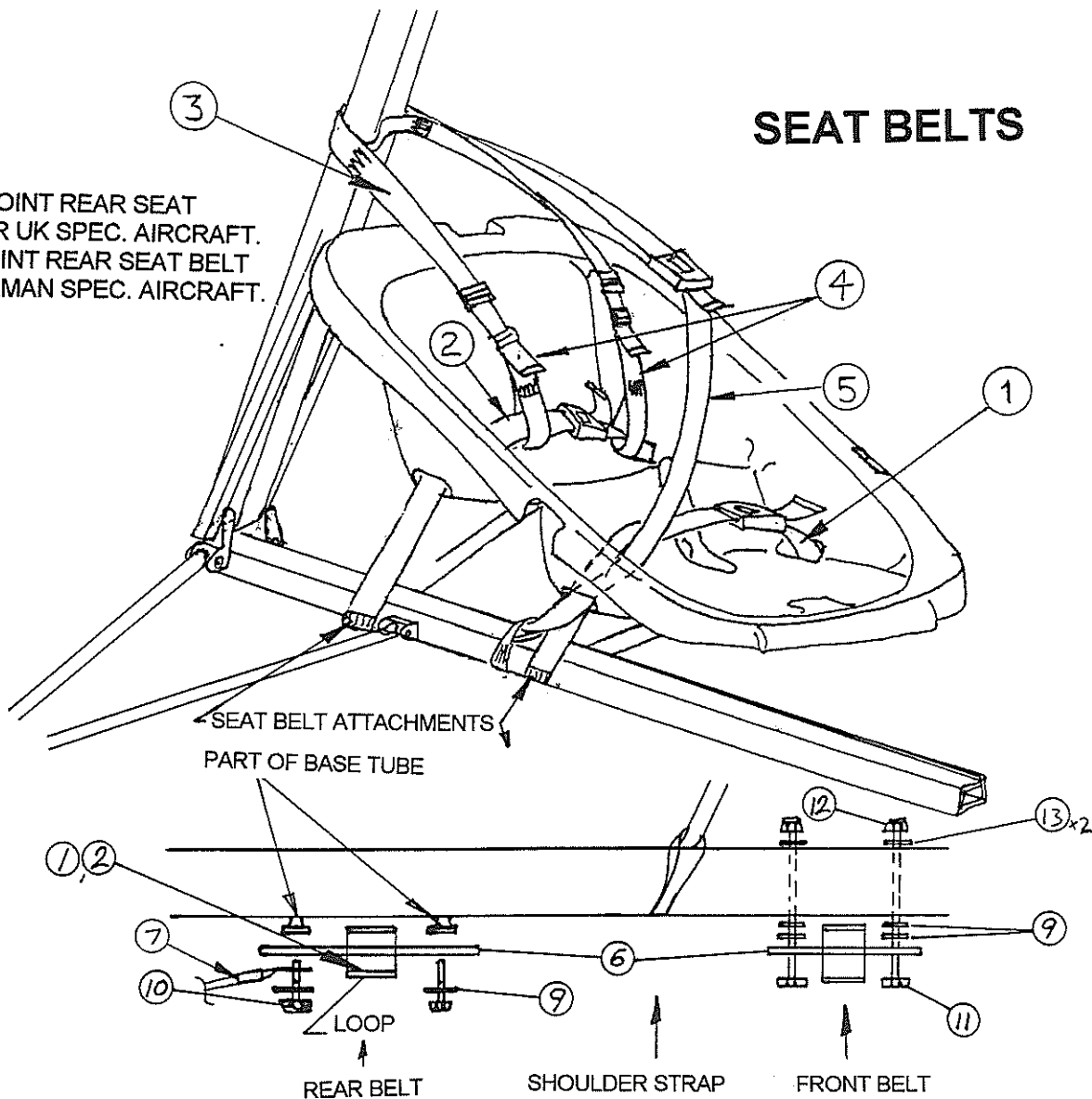
ITEM	PART NUMBER	DESCRIPTION
1	TQB-13214	SLOTTED SEAT MOULDING
3	TQU-20500	912 SEAT FRAME
4	ZMP-059	COLLAR (OUTER)
5	ZMP-060	COLLAR (INNER)
6	TQB-13315	HKS, 582, 462, 503 SEAT FRAME
7	TQU-13110L	LIGHTWEIGHT SEAT CUSHION (LITE, BASIC & 912)
8	TQU-13110	DELUXE SEAT CUSHION (582, 503 & 462)
9	TQU-13220	BACKREST
10	TQU-13225	BACKREST TUBE
11	ZMP-035	BACKREST PIVOT BUSH SPACER
12	TQU-13120	BACKREST CUSHION COVER
13	ZMS-150	DUAL IGNITION SWITCH BRACKET
14	ZSP-033	BACKREST PIVOT BUSH
15	TQU-13130	PASSENGER HEAD CUSHION (NOT ON BASIC/LITE)
16	ZMS-013	HAND THROTTLE LEVER
17	ZMS-008	HAND THROTTLE CASE
18	ZMS-014	HAND THROTTLE LEVER PIVOT
19	ZMS-251	CHOKE LEVER PLATE
20	ZMS-250	CHOKE LEVER ARM
21	TQB-13111	SINGLE SEAT CONVERSION CUSHION (OPTIONAL)
22	FBM6-50	M6 x 50mm HEX HT BOLT
23	FCM5-16	M5 x 16mm SOCKET CAP SCREW
24	FMS6-20	M6 x 20mm PAN HEAD SET SCREW
25	FBM5-45	M5 x 45mm HEX HT BOLT
26	FNM6-NT	M6 T TYPE NYLOC NUT
27	FNM5-NT	M5 T TYPE NYLOC NUT
28	FW4-T3	1/4" T3LP WASHER
29	FWM5-B	M5 FORM B WASHER
30	FW3-12	3/16 x 3/4 x 1/16 WASHER
31	FWM10-001	M10 CURVED WASHER
32	VW50-004	50mm VELCRO LOOP (1.8m)
34	FR6-12-001	3/16" DIA x 3/8" MONEL RIVET
35	FNM5-NP	M5 P TYPE NYLOC NUT
36	FWP-001	6.5ID x 22.25OD NYLON WASHER
37	HTW-001	LONG BLACK CABLE TIE
38	PMC-SB10	10mm SKIFFY RING
39	PMC-RSC10	10mm RAISED SKIFFY CAP
40	PMS-M6-11	M6 x 1 1/8" PLASTIC SADDLE
41	VSC3-001	3mm SHOCK CORD (400mm)
42	FMSU-001	10UNF x 3/8" BUTTON HEAD SCREW

# BRAKES



# SEAT BELTS

THREE POINT REAR SEAT BELT FOR UK SPEC. AIRCRAFT.  
 FOUR POINT REAR SEAT BELT FOR GERMAN SPEC. AIRCRAFT.



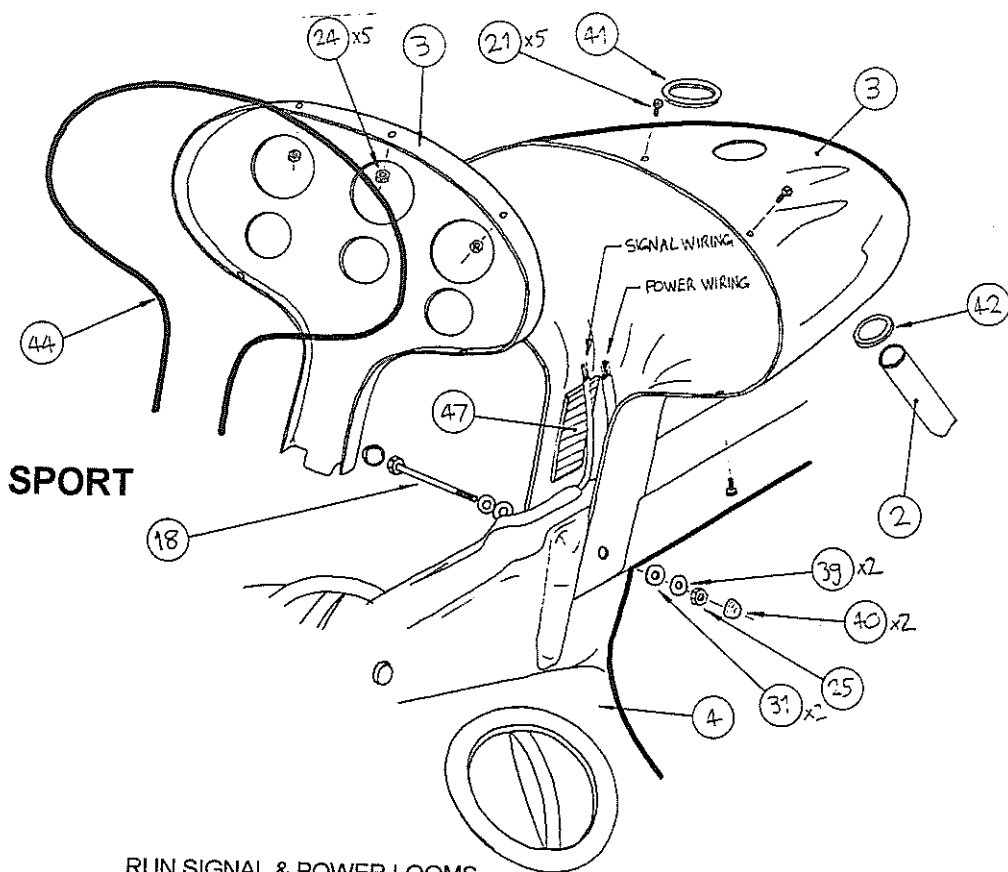
## BRAKES - OPTIONAL

ITEM	PART NUMBER	DESCRIPTION
1	TQU-16411	BRAKE CABLE FRONT SECTION - SHORT STEERING
	TQU-16410	BRAKE CABLE FRONT SECTION - LONG STEERING
3	TQB-16422	BRAKE CABLE OUTER LEFT HAND REAR
4	TQB-16424	BRAKE CABLE OUTER RIGHT HAND REAR
5	TQB-16426	BRAKE CABLE INNER REAR
6	HS-012	BRAKE RETURN SPRING
7	HTW-004	300mm CABLE TIE

## SEAT BELTS

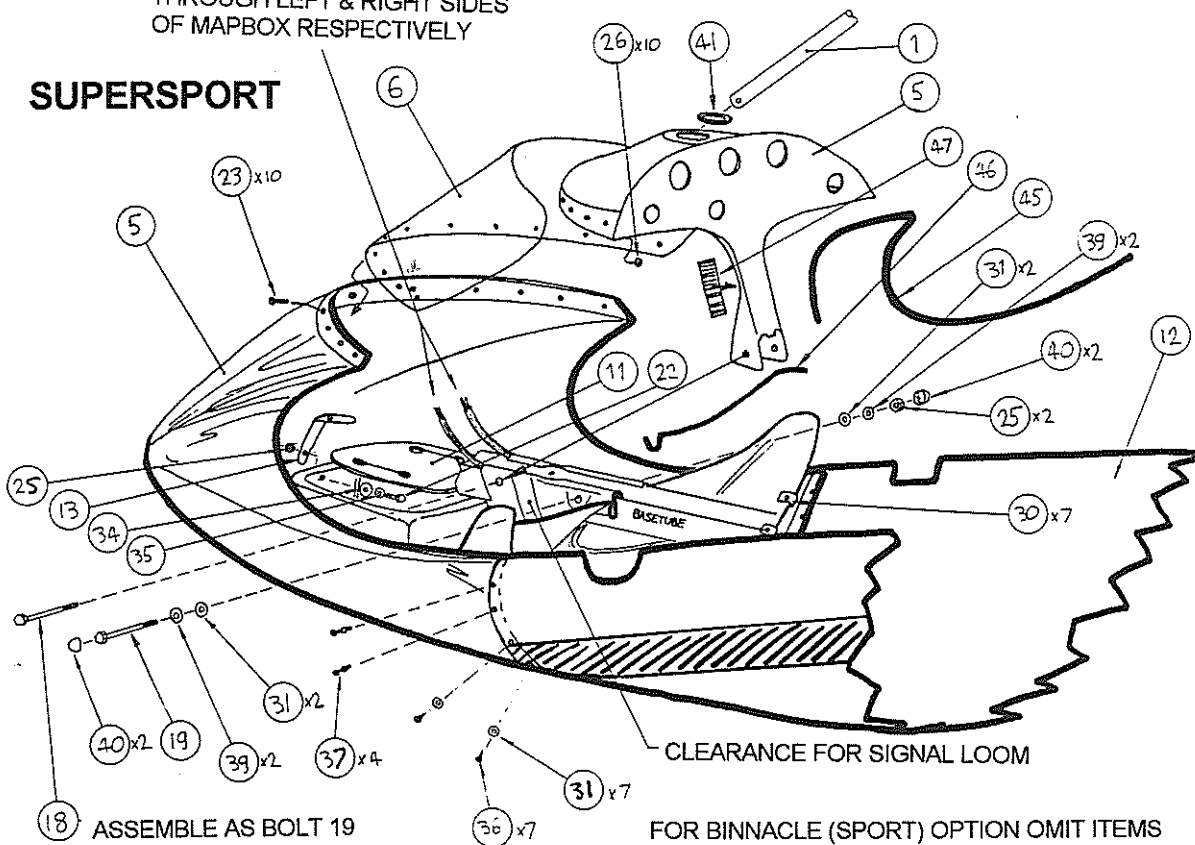
ITEM	PART NUMBER	DESCRIPTION
1	TQU-13410	FRONT SEAT BELT
2	TQU-13420	REAR SEAT BELT
3	TQU-13442	SHOULDER YOKE
	TQU-13443	SHOULDER YOKE - GERMAN SPECIFICATION
4	TQU-13430	ADJUSTMENT BELT
5	TQU-13441	FRONT SHOULDER BELT - LOWER
6	ZMA-028	TOP HAT BEARING
7	LC-030	BASETUBE EARTH CABLE
9	FW4-T3	1/4" T3LP WASHER
10	FBM6-20	M6 x 20mm HEX HT BOLT
11	FBM6-80	M6 x 80mm HEX HT BOLT - CUT TO 78mm
12	FNM6-NT	M6 T TYPE NYLOC NUT
13	FW4-T4	T4 1/4" WASHER

# FAIRINGS



RUN SIGNAL & POWER LOOMS THROUGH LEFT & RIGHT SIDES OF MAPBOX RESPECTIVELY

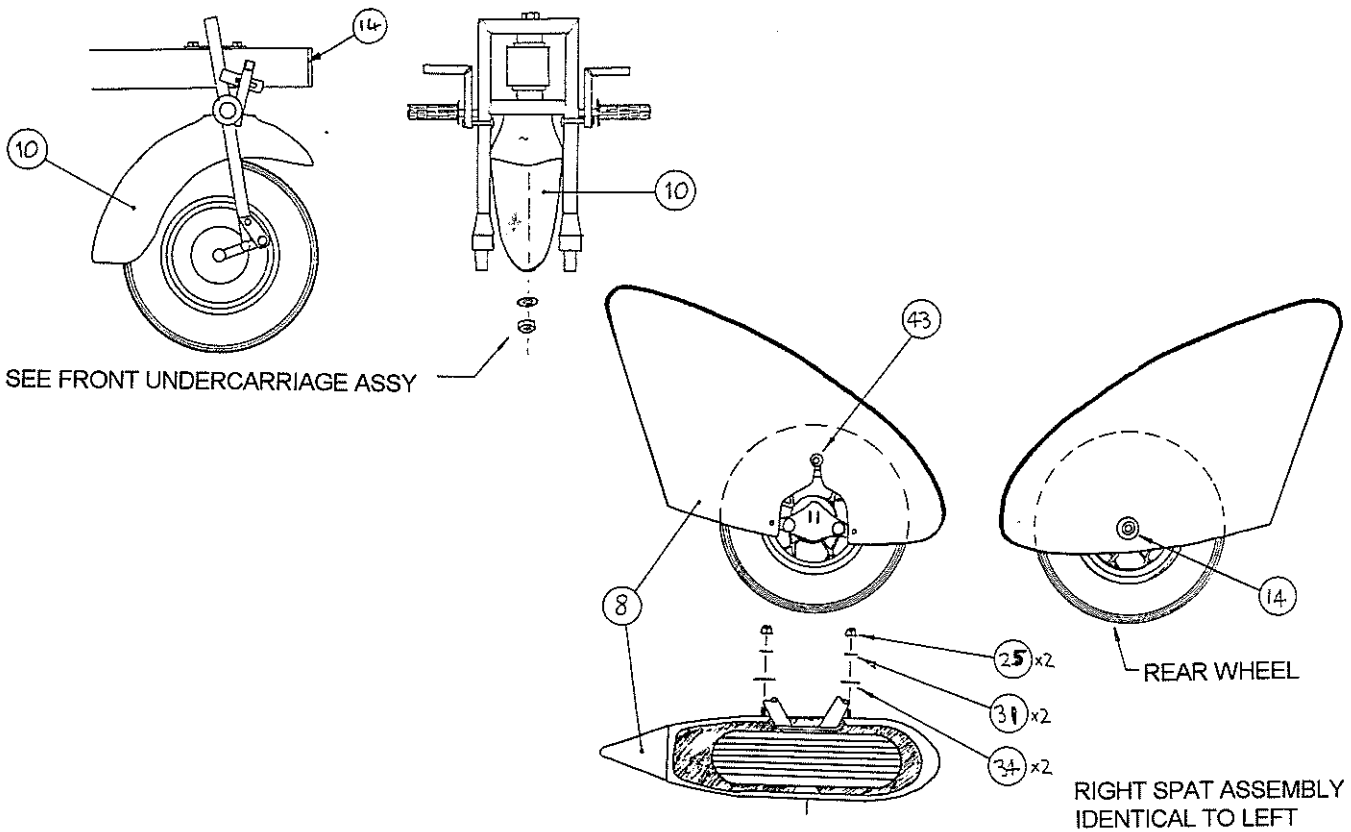
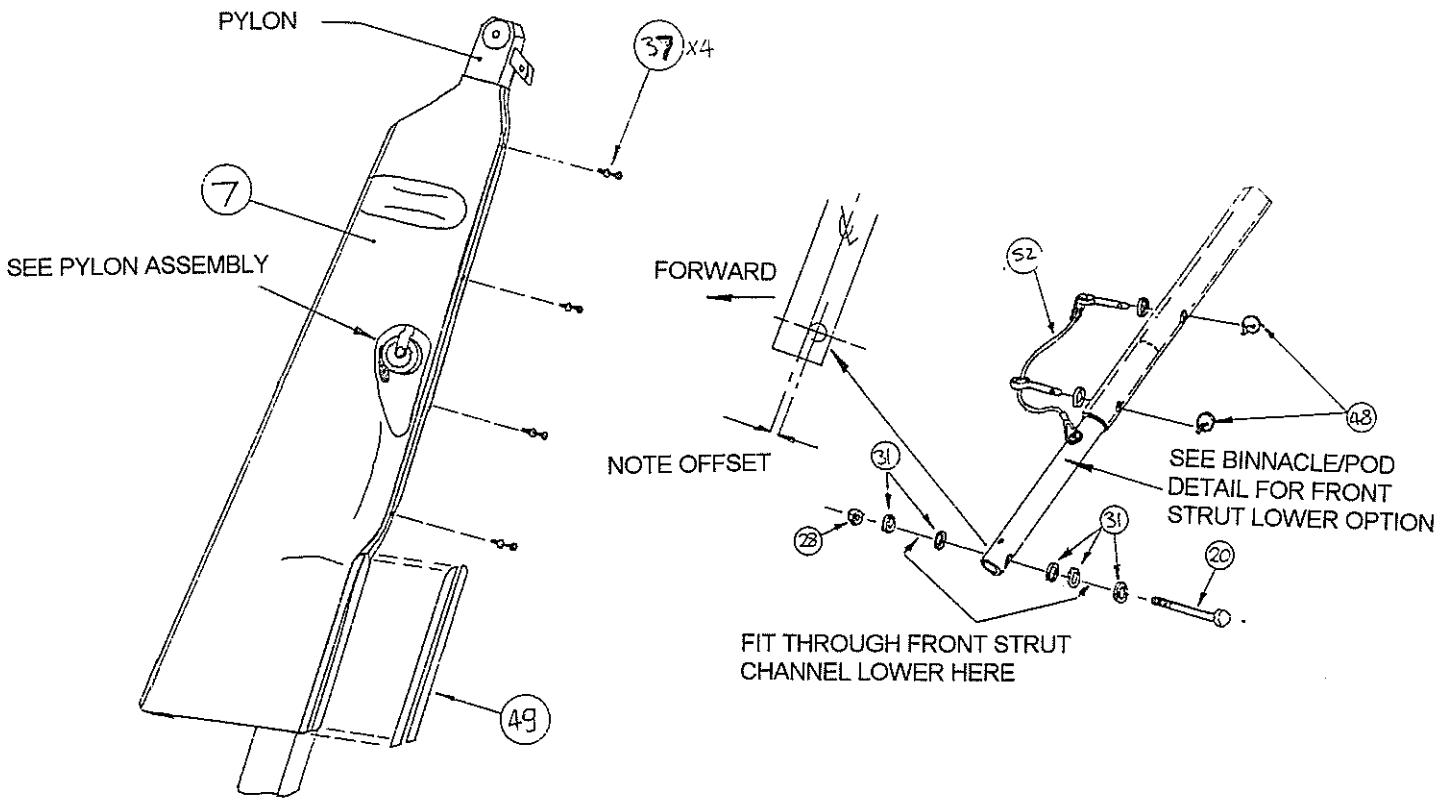
## SUPERSPORT



ASSEMBLE AS BOLT 19

FOR BINNACLE (SPORT) OPTION OMIT ITEMS 30, 33, 36 AND REPLACE WITH ITEM 37.

# FAIRINGS

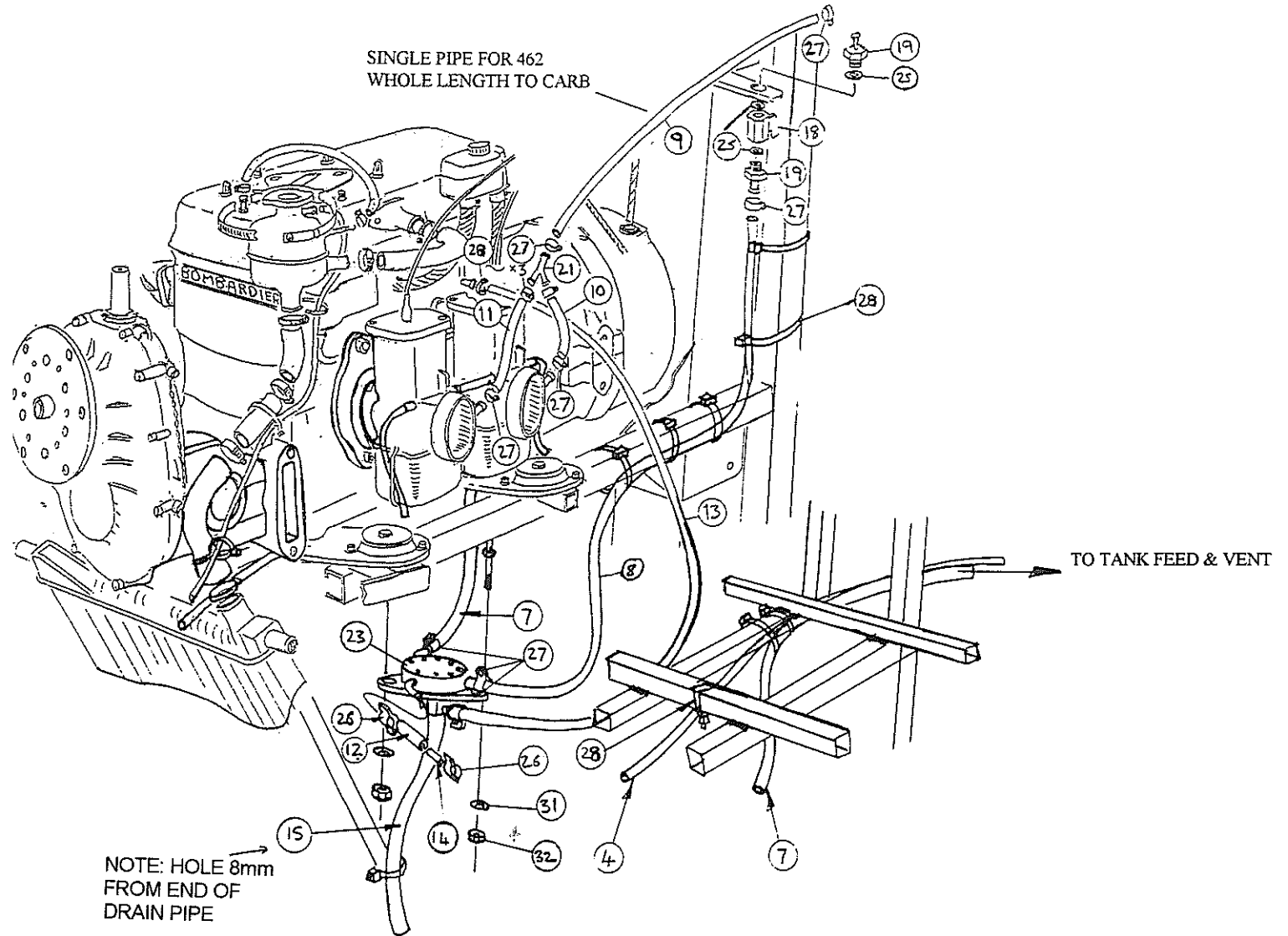


## FAIRINGS

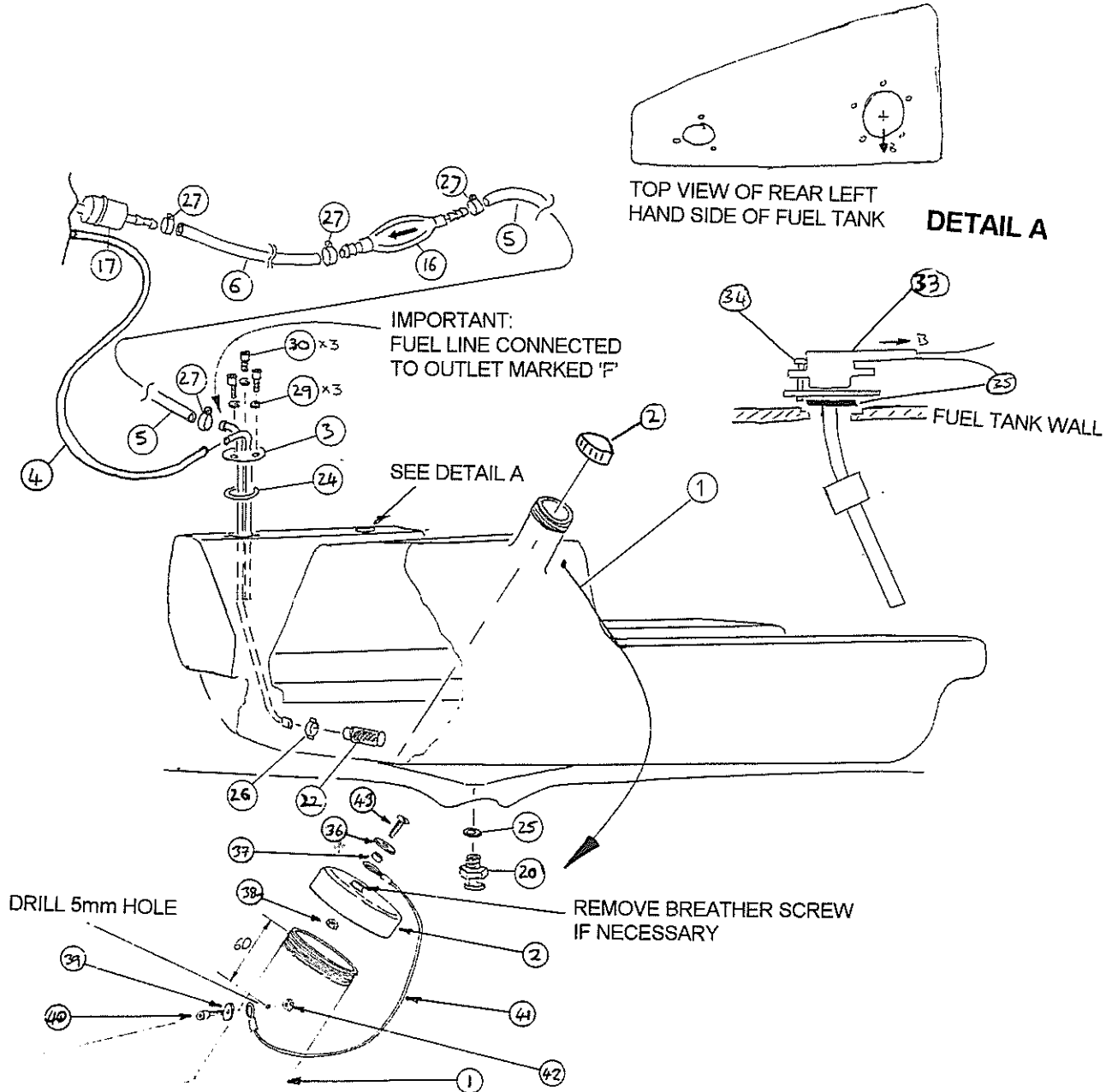
ITEM	PART NUMBER	DESCRIPTION
1	TQU-12200	FRONT STRUT LOWER (SUPERSPORT ONLY)
2	TQU-12210	FRONT STRUT LOWER (SPORT ONLY)
3	TQB-17300A	BINNACLE (SPORT ONLY)
	TQB-17300B	BINNACLE INSTRUMENT PANEL (SPORT ONLY)
4	TQB-17310	MAPBOX (OPTIONAL)
5	TQB-17320A	POD (SUPERSPORT ONLY)
	TQB-17320B	POD INSTRUMENT PANEL (SUPERSPORT ONLY)
6	TQB-17400	WINDSCREEN (SUPERSPORT ONLY)
7	TQB-17380	PYLON FAIRING (OPTIONAL)
	TQB-17385	PYLON FAIRING ELECTRIC START (OPTIONAL)
8	TQB-17330	REAR WHEEL SPAT (LEFT)
9	TQB-17340	REAR WHEEL SPAT (RIGHT)
10	TQB-17350	FRONT WHEEL SPAT
11	TQB-17450	FRONT FORK SEALING MEMBRANE
12	TQB-18100	582, 503, 462, HKS APRON
	TQB-18101	912 APRON
	TQB-18102	LITE APRON
13	ZMS-190	FRONT SUPPORT BRACKET
14	PES-001	2.5" END PLUG BLACK (SPORT ONLY)
18	FBM6-85	M6 x 85mm HEX HT BOLT
19	FBM6-80	M6 x 80mm HEX HT BOLT
20	FBA4-17A	AN4-17A AIRCRAFT HEX BOLT
21	FPS5-10	M5 x 10mm PLASTIC PAN HEAD SCREW
22	FSM6-16	M6 x 16mm HEX HT SET SCREW
23	FPS6-16BLACK	M6 x 16mm PLASTIC PAN HEAD SCREW
24	FPN5-8W	M5 x 8mm PLASTIC HEX NUT (WHITE)
25	FNM6-NT	6mm T TYPE NYLOC NUT
26	FPN6-10	M6 x 10mm PLASTIC HEX NUT
28	FNU4-NT	1/4" UNF T TYPE NYLOC NUT
30	FNX-002	NO 12 U TYPE SPIRE NUT
31	FW4-T3	1/4" T3LP WASHER
34	FWP-001	6.5mmID x 22.25OD NYLON WASHER
35	FW4-12	1/4" x 3/4" x 1/6" WASHER
36	FMSST-001	NO 12 x 3/4" PAN HEAD POS SCREW
37	FMSR-001	BLACK PLASTIC SCREW RIVET
39	PMC-SB8	8mm SKIFFY RING
40	PMC-RSC8	8mm RAISED SKIFFY CAP
41	PMM-011	POD RUBBER GROMMET
42	PMM-018	THERMO RUBBER GROMMET
43	PMM-014	STANDARD GROMMET
44	PMM-022	BLACK EDGE PROTECTOR (1.2m)
45	PMM-012	BLACK EDGE PROTECTOR (2 x 1.4m)
46	PMM-012	BLACK EDGE PROTECTOR (2 x 360mm)
47	LJ-002	FUSE HOLDER (EACH)
48	FPSR-001	5/8" SAFETY RING
49	VW50-004	50mm VELCRO LOOP (310mm)
52	TQU-12300	LOWER KEEP PIN ASSEMBLY



# 582/503/462 FUEL SYSTEM



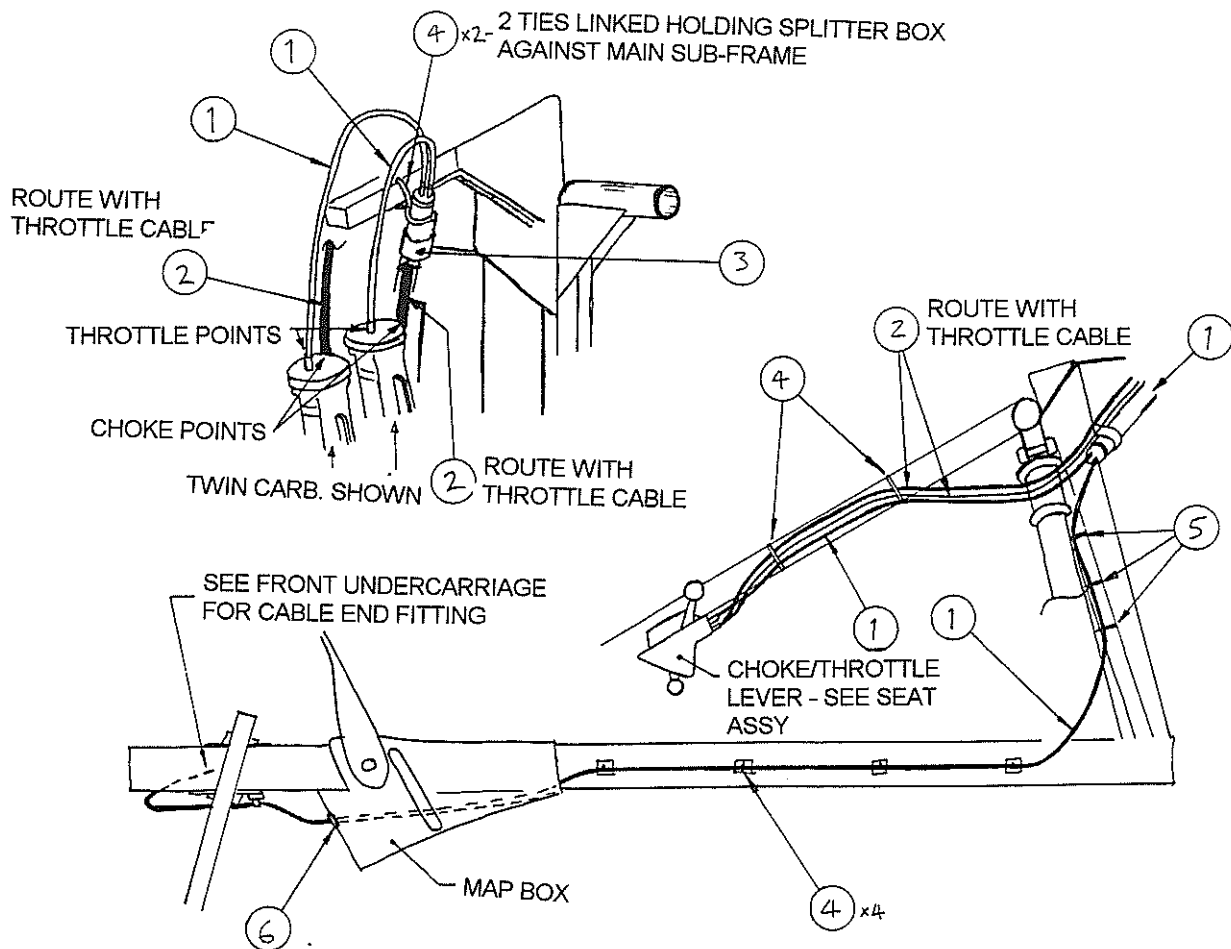
# 582/503/462 FUEL SYSTEM



## 582/503/462 FUEL SYSTEM

ITEM	PART NUMBER	DESCRIPTION
1	EFT-4	UNDERSLUNG FUEL TANK
2	EFTC-17	BLACK FUEL TANK CAP
3	TQA-17112	42LT FUEL PICKUP PIPE (582 E/START ONLY)
	TQU-17112	47LT FUEL PICKUP PIPE (582, 503, 462)
4	EFLH-7	6.4mm ID, 1.6mm WALL FUEL HOSE (1010mm)
5	EFLH-2	FUEL HOSE (110mm)
6	EFLH-2	FUEL HOSE (130mm)
7	EFLH-2	FUEL HOSE (230mm)
8	EFLH-2	FUEL HOSE (500mm)
9	EFLH-2	FUEL HOSE (450mm-462)(270mm-503)(320mm-582)
10	EFLH-2	FUEL HOSE (200mm-503) (180mm-582)
11	EFLH-2	FUEL HOSE (125mm-503&582)
12	EFLH-2	FUEL HOSE (100mm)
13	EFLH-2	FUEL HOSE (440mm)
14	EFPBR-1	FUEL PUMP BLANKING ROD
15	EFLH-8	9.6mmID, 1.6mm WALL FUEL TUBE (520mm)
16	EFLC-6	ART 1460 PRIMER BULB 1/4" BORE
17	EFF-1	INLINE FILTER PF-1
18	EFLC-3	1/4" BSP FUEL TAP
19	EFLC-2	1/4" BSP THREADED SPIGOT
20	EFTC-5	DRAIN PLUG
21	ZMS-007	FUEL Y PIECE
22	EFF-5	FORD FUEL STRAINER
23	994 485	MIKUNI FUEL PUMP
24	EFTC-8	15/16"ID x 1/8"DIA O RING
25	EFW-1	FIBRE WASHER 0.75" x 0.52" x 0.06"
26	HCI8-001	1/2" O CLIP
27	HCM12-001	11-13mm NPL HOSE CLIP
28	HTW-002	CABLE TIE (BLACK, SMALL)
29	FWM6-SW	6mm SPRING WASHER
30	FCM6-10	M6 x 10mm CAP HEAD SCREW
31	FW4-T3	1/4" T3LP WASHER
32	FNM6-NT	6mm NYLOC NUT T TYPE
33	EFG-5	LTS ELECTRONIC FUEL GAUGE
34	FCM5-8	M5 x 8mm CAP HEAD SCREW
35	EFTC-18	O RING
36	FWP-004	6mm x DIA 16 PLASTIC WASHER
37	ZSP-031	THROTTLE CABLE BUSH
38	FPN6-10	M6 x 10mm PLASTIC HEX NUT
39	FW3-12	3/16 x 3/4 x 1/16 WASHER
40	FCM5-16	M5 x 16mm CAP HEAD SET SCREW
41	RLY-003	FUEL CAP LANYARD
42	FNM5-NT	5mm T TYPE NYLOC NUT
43	FMS6-18	M6 x 18mm NYLON NUMBER PLATE BOLT

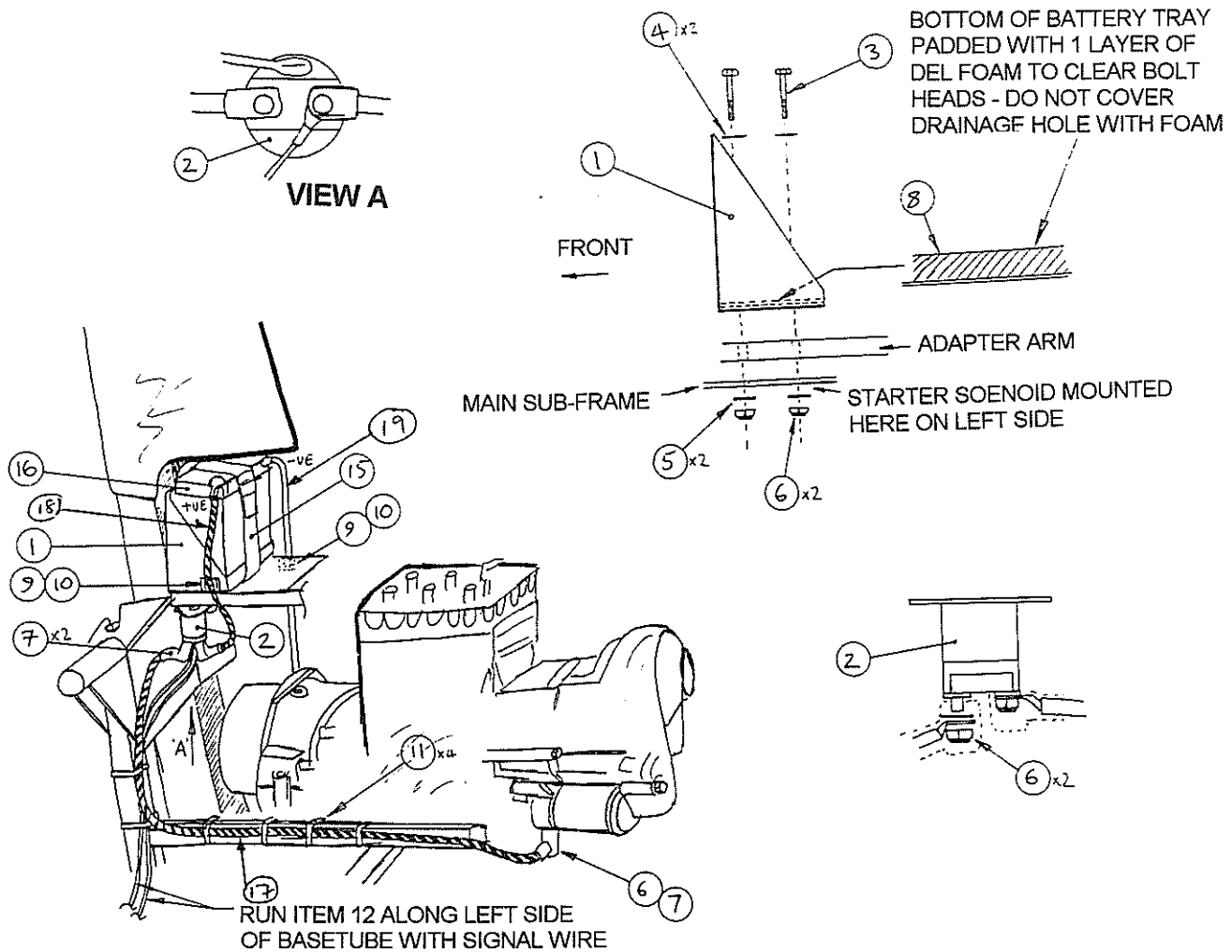
## 582/503/462 THROTTLE AND CHOKE



## 582/503/462 THROTTLE AND CHOKE

ITEM	PART NUMBER	DESCRIPTION
1	TQB-16215	THROTTLE CABLE (DUAL CARBURETTOR ENGINES)
2	TQB-16205	CHOKE CABLE (DUAL CARBURETTOR ENGINES)
3	HCC-005	1" WHITE P CLIP
4	HTW-002	CABLE TIE (BLACK, SMALL)
5	HTW-006	CABLE TIE (BLACK, LARGE)
6	PMM-014	STANDARD GROMMET
7	TQB-16220	THROTTLE CABLE (SINGLE CARBURETTOR ENGINES)
8	TQB-16210	CHOKE CABLE (SINGLE CARBURETTOR ENGINES)

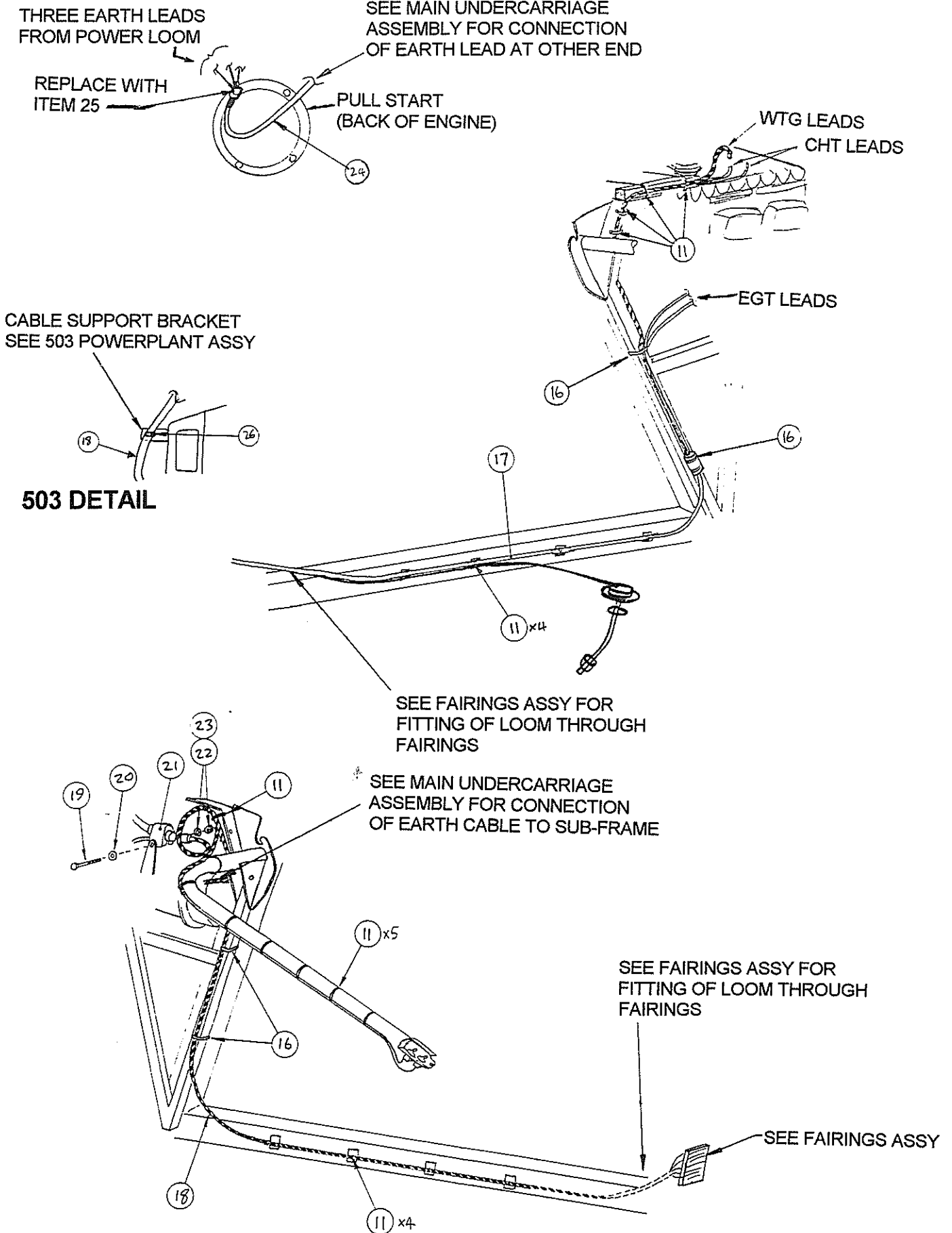
# 582 ELECTRIC START



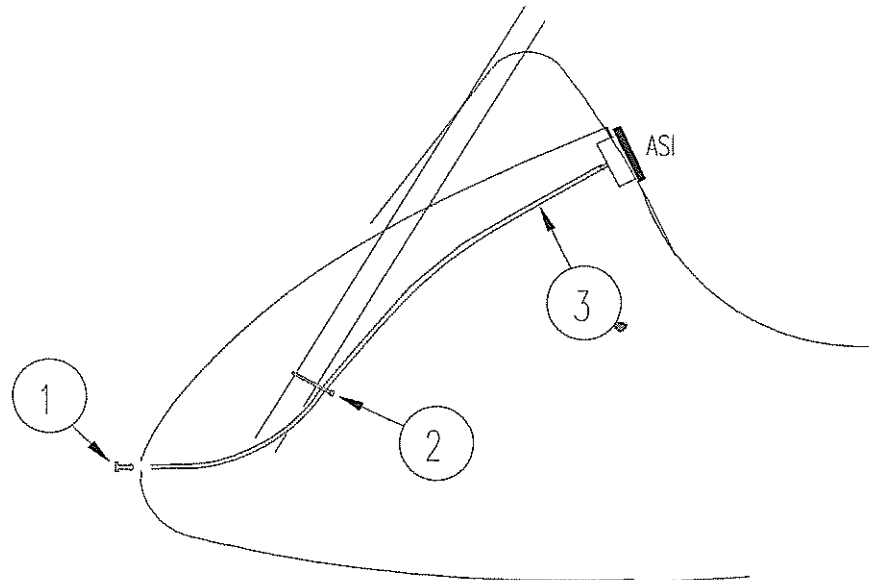
# 582 ELECTRIC START

ITEM	PART NUMBER	DESCRIPTION
1	TQB-17390	BATTERY BOX
2	992 819	SOLENOID
3	FBM6-45	M6 x 45mm HEX HT BOLT
4	FW4-12	1/4" x 3/4" x 1/16" WASHER
5	FW4-T3	1/4" T4LP WASHER
6	FNM6-NT	6mm T TYPE NYLOC NUT
8	PF-001	4mm FOAM
9	HTM-001	CABLE TIE MOUNT, LARGE
10	HTW-002	CABLE TIE (BLACK, SMALL)
11	HTW-006	CABLE TIE (BLACK, LARGE)
12	LC-002	EARTH STRAP
15	TQB-18150	BATTERY STRAP
16	LB-002	12V BATTERY
17	LC-027	SOLENOID TO STARTER CABLE
18	LC-033	SOLENOID TO BATTERY CABLE
19	LC-034	BATTERY TO EARTH CABLE

# 582/503/462 ELECTRICAL



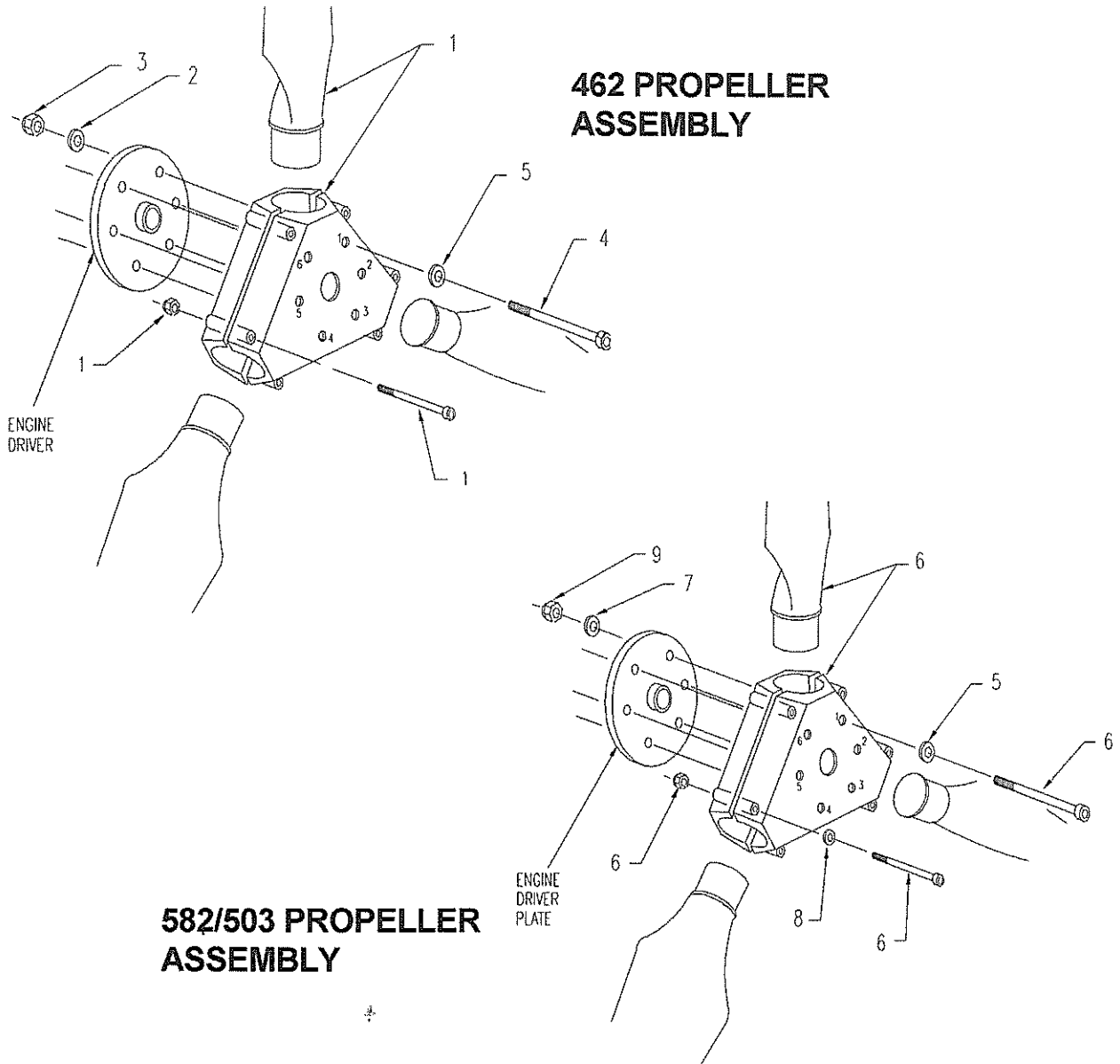
## 582/503/462 ELECTRICAL



## 582/503/462 ELECTRICAL

ITEM	PART NUMBER	DESCRIPTION
1	ZMP-036	PITOT (IF ASI FITTED)
2	HTW-002	CABLE TIE (SMALL, BLACK) (IF ASI FITTED)
3	PTI3-001	3 1/16" x 1/16" CLEAR PVC TUBE (IF ASI FITTED)
11	HTW-001	CABLE TIE (SMALL, WHITE)
16	HTW-005	CABLE TIE (LARGE, WHITE)
17	TQA-16550	SIGNAL WIRING LOOM
18	TQU-16534	POWER WIRING LOOM
19	FBM5-35	M5 x 35mm HEX HT BOLT (NOT ON 503)
20	FWM5-B	5mm FORM B WASHER (NOT ON 503)
21	HCC-004	NO 10 CABLE CLEAT (NOT ON 503)
22	FW3-12	3/16" x 3/4" x 1/16" WASHER (NOT ON 503)
23	FNM5-NT	5mm T TYPE NYLOC NUT (NOT ON 503)
24	LC-002	EARTH STRAP
25	FSM6-20	M6 x 20mm HEX BOLT
26	HTW-002	CABLE TIE (SMALL, BLACK) (503 ONLY)

## 582/503/462 PROPELLERS

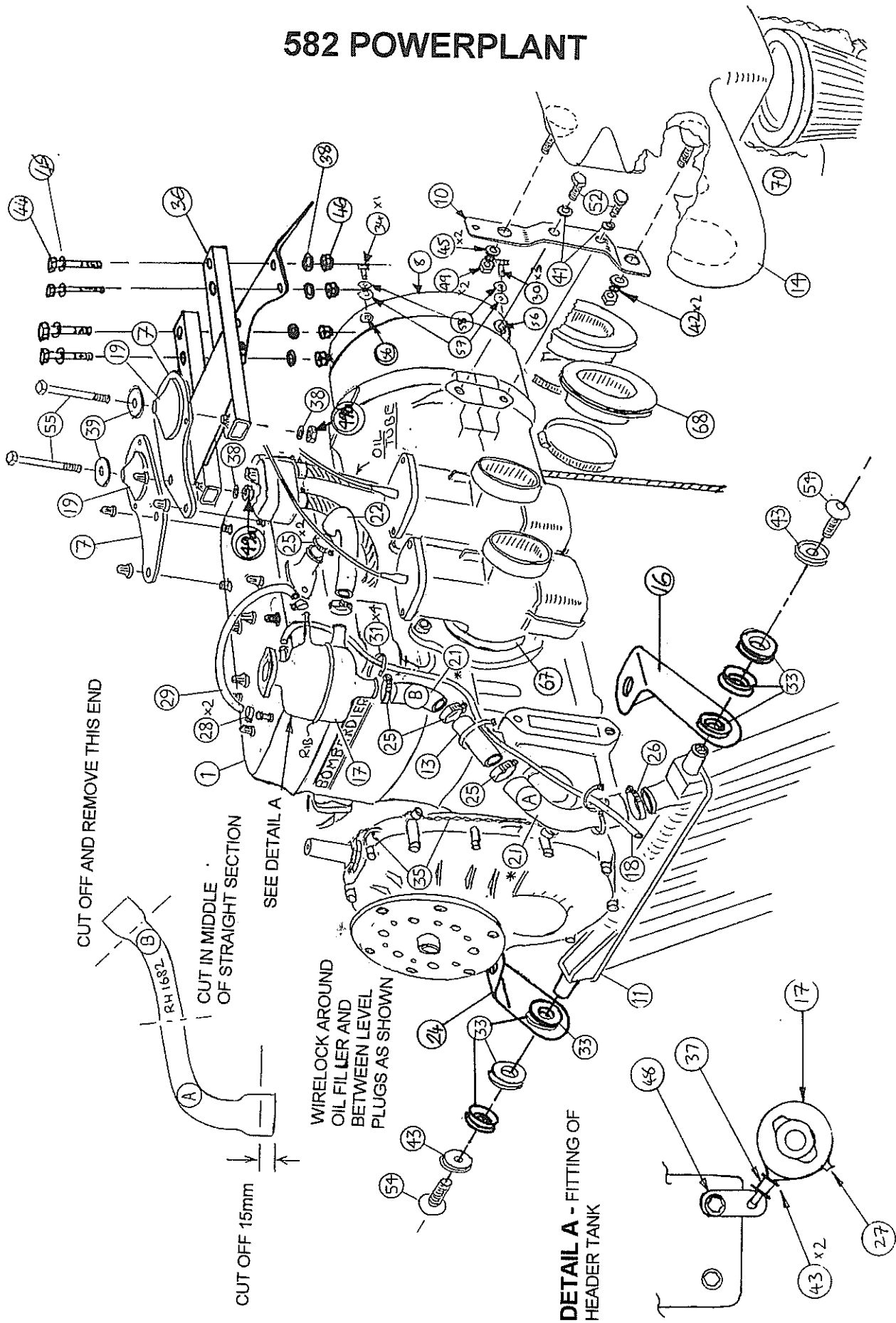


## 582/503/462 PROPELLERS

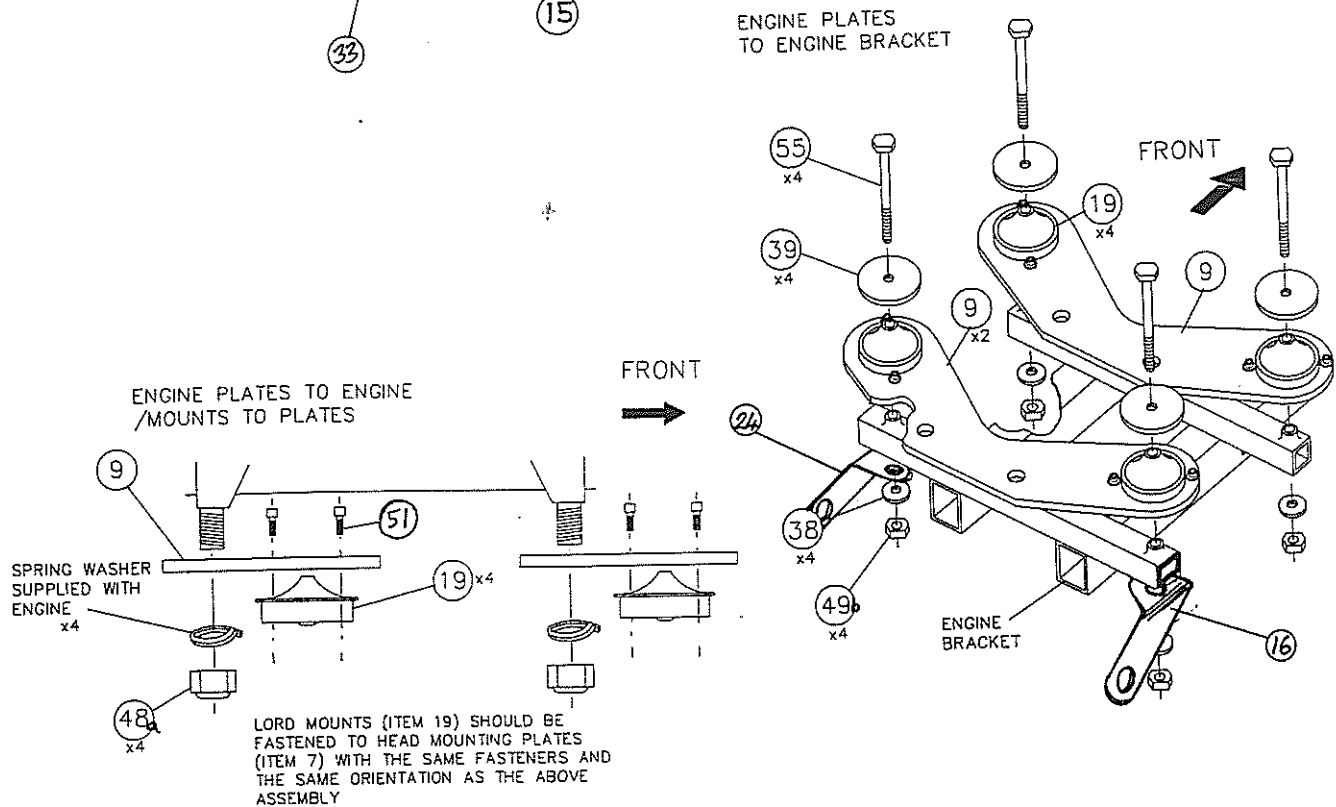
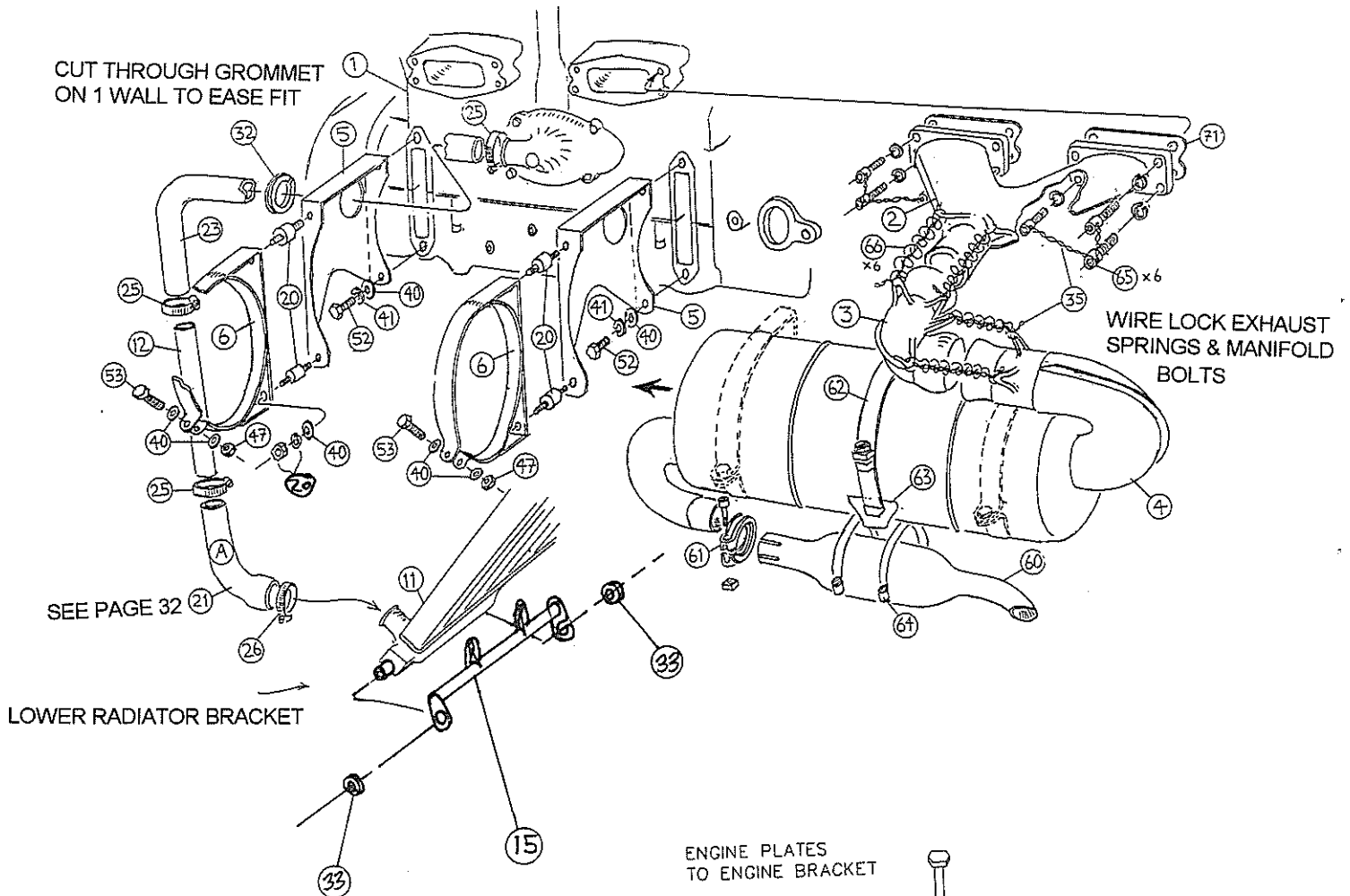
ITEM	PART NUMBER	DESCRIPTION
1	EP162-DAM/3	ARPLAST 162 PROP (BLADES/HUB/BOLTS) (462 ONLY)
2	FWM8-B	8mm FORM B WASHER (462 ONLY)
3	FNM8-NP	8mm P TYPE NYLOC NUT (462 ONLY)
4	ZMF-009	PROPELLER BOLT (462 ONLY)
5	FWM8-BEL	8mm BELVILLE WASHER
6	EP166-DAS/3	ARPLAST 166 PROP (BLADES/HUB/BOLTS) (503/582 ONLY)
7	FWM8-B	8mm FORM B WASHER (503/582 ONLY)
8	FW4-T3	1/4" T3LP WASHER (503/582 ONLY)
9	FNM8-NT	8mm T TYPE NYLOC NUT (503/582 ONLY)



# 582 POWERPLANT



# 582 POWERPLANT



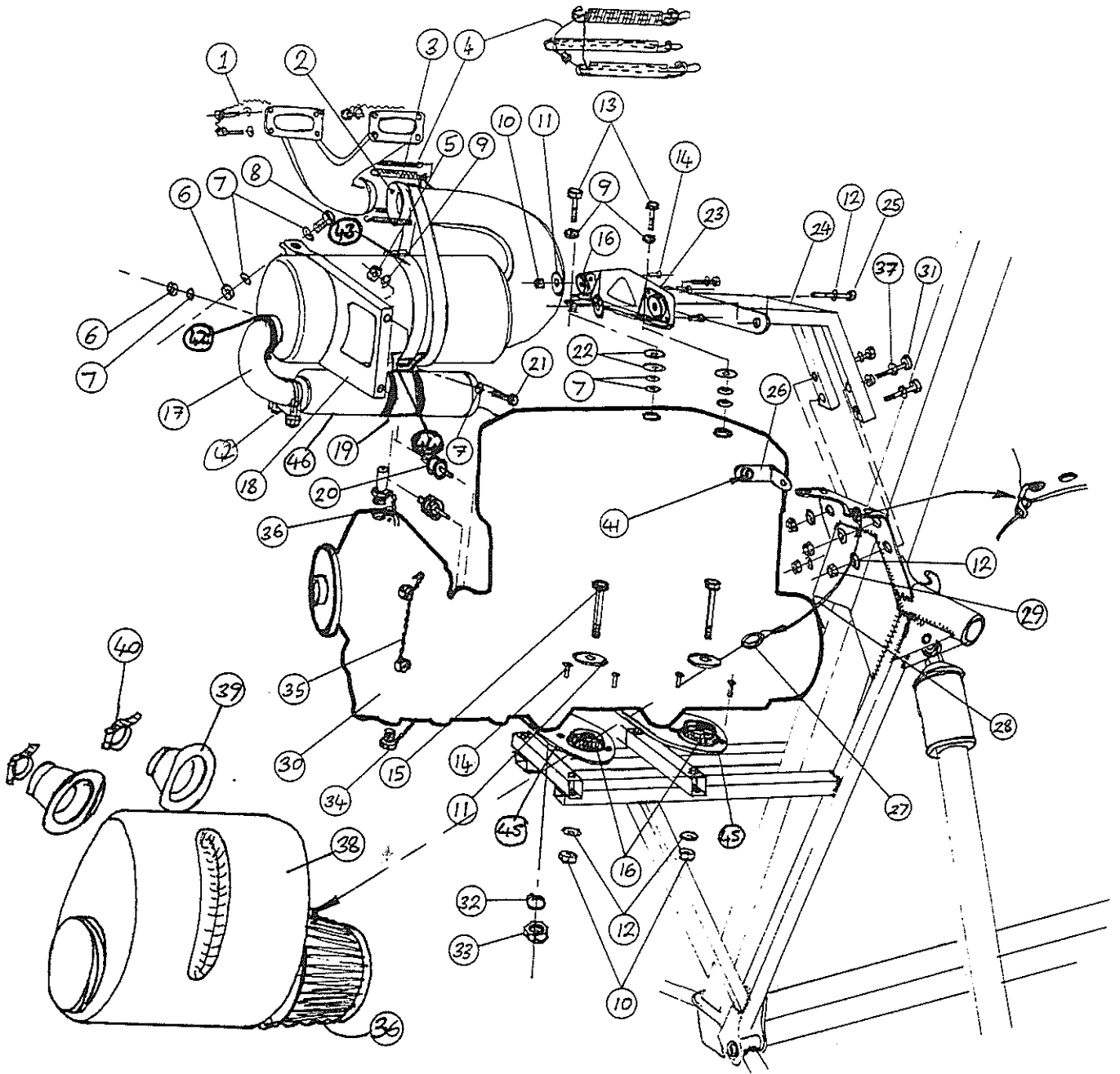
## 582 POWERPLANT

ITEM	PART NUMBER	DESCRIPTION
1	ON REQUEST	582 ENGINE
2	973 124	EXHAUST MANIFOLD
3	973 182	EXHAUST MANIFOLD ELBOW
4	EXH-032	LOW NOISE EXHAUST MAIN MUFFLER
	EXH-033	HIGH POWER EXHAUST MAIN MUFFLER
5	TQA-15220	EXHAUST BRACKET
6	TQA-15270	EXHAUST STRAP
7	TQA-15320	HEAD MOUNTING PLATE
8	TQB-90520	ELECTRIC START BLANKING PLATE (IF E/START)
9	ZPL-019	ENGINE PLATE
10	ZMS-162	MUFFLER MOUNTING BRACKET
11	ELR-001	QUANTUM RADIATOR
12	ZMA-076	LEFT HAND HOSE CONNECTOR
13	ZMA-072	RIGHT HAND HOSE CONNECTOR
14	TQA-18305	INTAKE MUFFLER
15	ZMS-185	RADIATOR BRACKET - LOWER
16	ZMS-187	RADIATOR ARM - RIGHT HAND
17	922 310	HEADER TANK
	922 312	HEADER TANK WITH CAP
18	PTI3-001	3/16"ID x 1/16"WALL CLEAR VC TUBE (470mm)
19	EVI-001	LORD MOUNT
20	EVI-005	TWO BOLT M8 x 20 RND TYPE MOUNTING
21	ELH-002	HOSE RH1682
22	ELH-003	HOSE RH899
23	922 381	HOSE
24	ZMS-186	LEFT HAND RADIATOR ARM
25	HCJ-004	20-30mm JUBILEE CLIP
26	HCJ-002	30-40mm JUBILEE CLIP
27	HTW-005	CABLE TIE (WHITE, LARGE)
28	HCM10-001	9-11mm SCREW CLIP
29	DN-6	CYLINDER HEAD VENT HOSE
30	FSM6-16	M6 x 16mm HEX HT SET SCREW (IF E/START)
31	HTW-003	CABLE TIE (WHITE, MEDIUM)
32	PMM-018	THERMO RUBBER GROMMET
33	PMM-008	RUBBER GROMMET
34	FSM6-20	M6 x 20mm HEX HT SET SCREW (IF E/START)
35	RW-SW	SEIZING WIRE (8m)
36	ZMS-184	462/582 ENGINE ADAPTER ARM
37	EFLH-2	FUEL HOSE (30mm)
38	FW4-T3	1/4" T3LP WASHER
39	FW4-18	1/4" x 1 1/2" x 1/16" WASHER
40	FWM8-B	8mm FORM B WASHER
41	FWM8-SW	8mm SPRING WASHER
42	FWM6-SW	6mm SPRING WASHER
43	PMC-SB8	8mm SKIFFY RING
44	FBM6-35	M6 x 35mm HEX HT BOLT
45	FW4-12	1/4" x 3/4" x 1/16" WASHER

46	FNM6-NT	6mm T TYPE NYLOC NUT
47	FNM8-NP	8mm P TYPE NYLOC NUT
48	RT-2H-HD3	2 HOLE 30DEG BENT TANG
49	FNM6-G8	M6 NUT
48A	FNM10-NT	10mm T TYPE NYLOC NUT
49A	FNU4-NP	1/4"UNF P TYPE NYLOC NUT
51	FR6-12-002	3/16" x 3/8" AVDEL MONOBOLT
52	FSM8-16	M8 x 16mm HEX HT SET SCREW
53	FBM8-30	M8 x 30mm HEX HT BOLT
54	FMS8-15	M8 x 15mm PAN HEAD SET SCREW
55	FBU4-26	2 3/4" x 1/4" UNF HEX BOLT
56	FW4-T3/1	1/4" T3LP WASHER GROUND DOWN (IF E/START)
57	FW4-T3	1/4" T3LP WASHER
58	FWM6-SW	SPRING WASHER
60	878 697	AFTER MUFFLER
61	953 251	CLAMP
62	851 140	STRAP
63	851 150	MOUNTING BRACKET
64	851 130	JUBILEE CLIP
65	840 991	EXHAUST ALLEN BOLT (REQUIRES DRILLING)
66	938 790	EXHAUST SPRING
67	267 785	CARBURETTOR TO ENGINE RUBBER
	867 690	CARB. TO ENGINE RUBBER FOR SOME MODELS
68	825 662	CARBURETTOR TO INTAKE MUFFLER RUBBER
69	897 055	NGK BR8ES SPARK PLUG - SOLID TOP
70	825 511	AIR FILTER (NO RETAINING RING REQUIRED)
	USE 825 511	RETAINING RING (NO LONGER AVAILABLE)
71	850 630	EXHAUST GASKET

\*

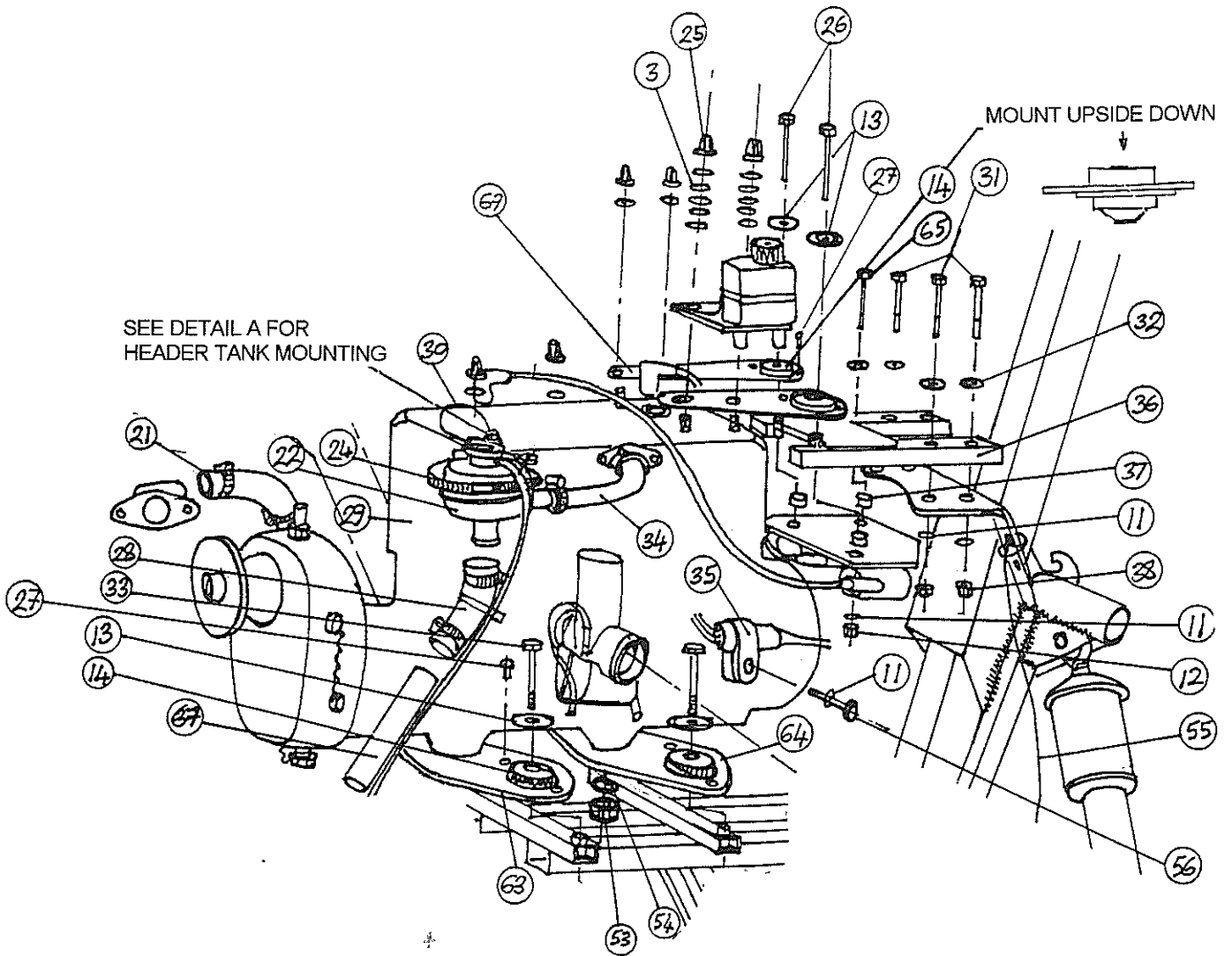
# 503 POWERPLANT



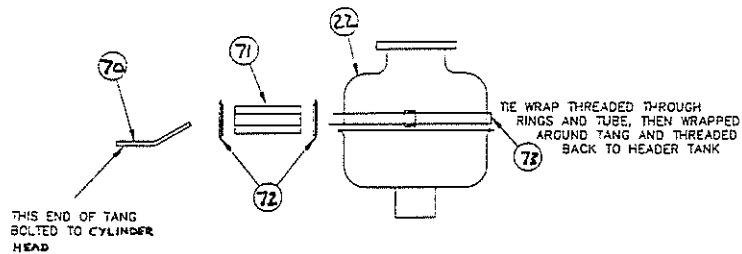
## 503 POWERPLANT

ITEM	PART NUMBER	DESCRIPTION
1	RW-SW	SEIZING WIRE
3	938 795	EXHAUST SPRING
4	RW1.5-SS	1.5mm 7x7 STAINLESS STEEL WIRE
5	FNM8-NT	8mm T TYPE NYLOC NUT
6	FNM8-NP	8mm P TYPE NYLOC NUT
7	FWM8-B	M8 FORM B WASHER
8	FBM8-30	M8 x 30mm HEX HT BOLT
9	FWM8-B	M8 FORM B WASHER
10	FNU4-NP	1/4" P TYPE NYLOC NUT
11	FW4-18	1/4" x 1 1/2" x 1/16" WASHER
12	FW4-T3	1/4" T3LP WASHER
13	FBM8-25	M8 x 25mm HEX BOLT
14	FR6-12-002	3/16" x 3/8" AVDEL RIVET
15	FBU4-26	1/4" x 2 3/4" HEX BOLT
16	EVI-001	LORD MOUNT
17	EXH-034	503 EXHAUST SYSTEM
18	TQU-15220	503 EXHAUST BRACKET
19	851 130	CLAMP 60-80
20	EVI-004	TWO BOLT (M8 x 20mm) MOUNT
21	FSM8-35	M8 x 35mm HEX SET SCREW
22	FW5-10	5/16" x 1" WASHER
23	TQU-15320	HEAD MOUNTING BRACKET
24	ZMS-168	503 ENGINE ADAPTOR ARM
25	FBU4-16	1 3/4" x 1/4" HEX BOLT
26	ZMS-126	CABLE SUPPORT BRACKET
27	FPSR-003	DOUBLE-TURN SAFETY RING 20mmOD
28	TQU-15160	AIRBOX BACKUP CABLE
29	FNM6-NT	6mm T TYPE NYLOC NUT
30	PART NO. ON REQUEST	503 TWIN CARB ENGINE, SIN./DUAL IG. B/C OR E BOX
31	FBM6-35	M6 x 35mm HEX HT BOLT
32	FWM10-SW	10 mm SPRING WASHER
33	FNM10-NT	10mm T TYPE NYLOC NUT
34	RW-SW	SEIZING WIRE
35	RW-SW	SEIZING WIRE
36	RW-SW	SEIZING WIRE
37	FW4-12	1/4" x 3/4" x 1/16" WASHER
38	825 659	503 INTAKE SILENCER
39	825 440	INTAKE SILENCER ADAPTOR
40	951 790	CLAMP 50-70
41	FR6-12-001	3/16" x 3/8" MONEL RIVET
42	953 251	CLAMP 42
43	851 140	HOSE CLAMP 140
44	851 150	MUFFLER HOLDER
45	ZPL-019	ENGINE PLATE
46	878 374 / 878 967	AFTER MUFFLER ASSEMBLY (OLD/NEW)

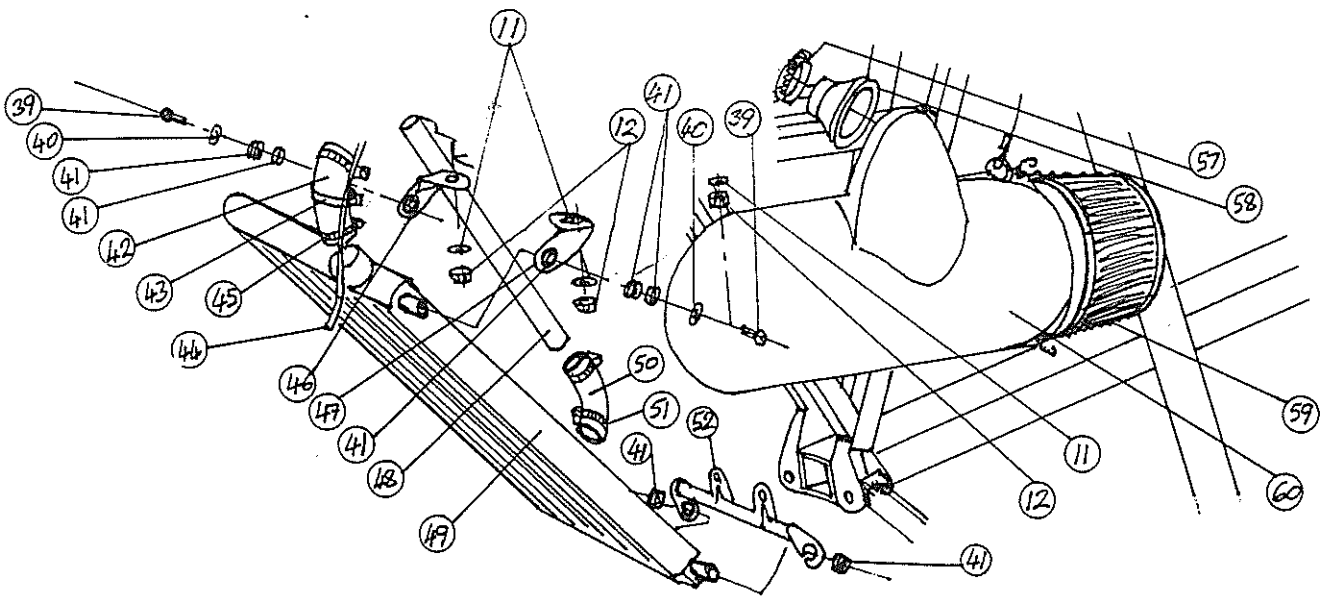
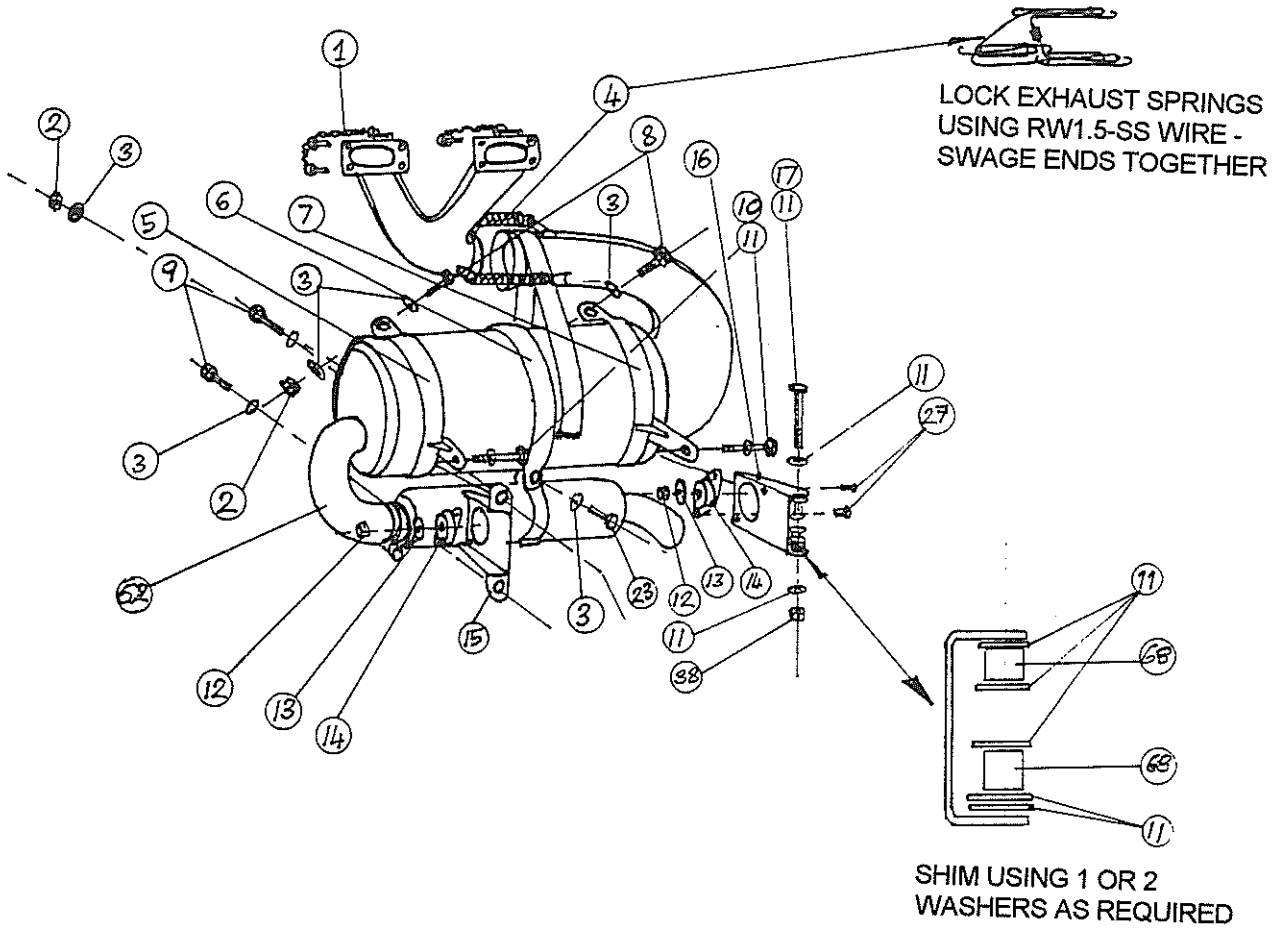
# 462 POWERPLANT



## DETAIL A



# 462 POWERPLANT



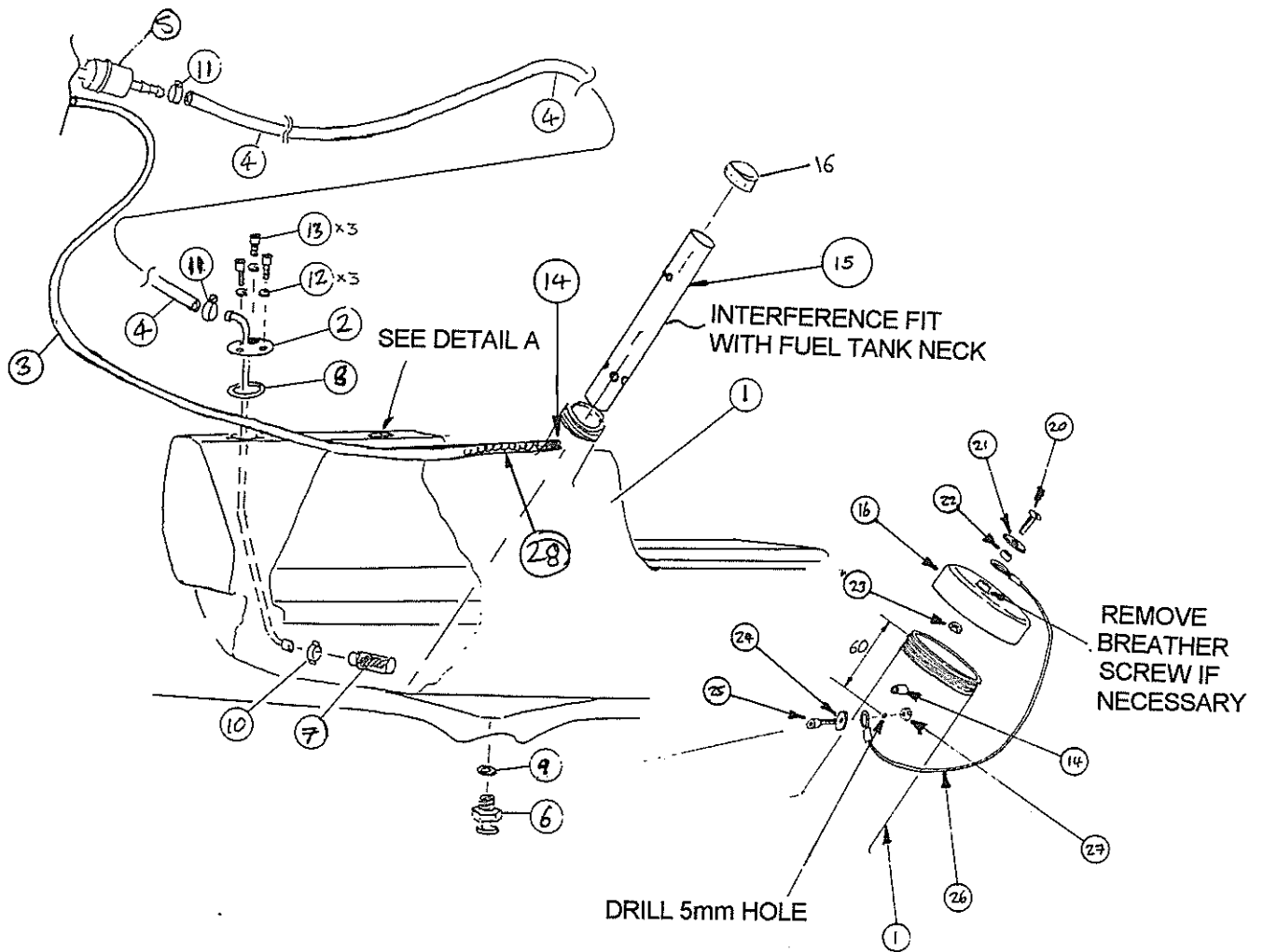


## 462 POWERPLANT

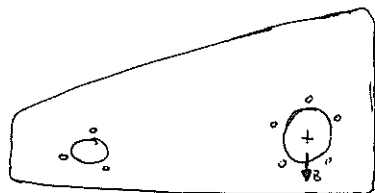
ITEM	PART NUMBER	DESCRIPTION
1	RW-SW	SEIZING WIRE
2	FNM8-NP	M8 P TYPE NYLOC NUT
3	FWM8-B	8mm FORM B WASHER
4	938 795	EXHAUST SPRING
5	TRA-15272	EXHAUST RETENTION STRAP - REAR
6	ZMS-067	HOOP
7	TRA-15270	EXHAUST RETENTION STRAP - FRONT
8	FBM8-30	M8 x 30mm HEX HT BOLT
9	FSM8-16	M8 x 16mm SET SCREW
10	FBU4-16	1/4" x 1 3/4" UNF HEX BOLT
11	FW4-T3	1/4" T3LP WASHER
12	FNU4-NP	1/4" P TYPE NYLOC NUT
13	FW4-18	1/4" x 1 1/2" x 1/16" WASHER
14	EVI-001	LORD MOUNT
15	TRA-15225	EXHAUST BRACKET REAR
16	TRA-15220	EXHAUST BRACKET FRONT
17	FBM6-70	M6 x 70mm HEX HT BOLT
18	FBM8-16	M8 x 16mm HEX HT BOLT
21	922 381	HOSE
22	922 310	HEADER TANK
	922 312	HEADER TANK WITH CAP
23	FSM8-35	M8 x 35mm HEX HEAD SCREW
24	HTW-006	CABLE TIE (BLACK, LARGE)
25	842 471	8mm CAP NUT
26	FBU4-30	1/4" x 3" UNF HEX BOLT
27	FR6-12-002	3/16" x 3/8" AVDEL MONOBOLT
29	PART NO ON-REQUEST	ENGINE
30	RLY-002	WIRE LANYARD
31	FBM6-35	M6 x 35mm HEX HT BOLT
32	FW4-12	1/4" x 3/4" x 1/16" WASHER
33	FBU4-26	1/4" x 2 3/4" UNF HEX BOLT
34	ELH-003	RADIATOR HOSE RH899
36	ZMS-184	ENGINE ADAPTER ARM
37	847 510	SPACER
38	FNM6-NT	6mm T TYPE NYLOC NUT
39	FMS5-15	M5 x 15mm SOCKET SCREW
40	PMC-SB8	8mm SKIFFY RING
41	PMM-008	RUBBER GROMMET
42	ELH-002	RADIATOR HOSE RH1682
43	HTW-001	CABLE TIE (WHITE, SMALL)
44	PTI3-001	3/16" x 1/16" WALL PVC TUBE
45	HCJ-002	40-30mm JUBILEE CLIP
46	ZMS-186	RADIATOR ARM LEFT HAND
47	ZMS-187	RADIATOR ARM RIGHT HAND
48	ZMA-071	LEFT HAND HOSE CONNECTOR
49	ELR-001	MODIFIED RADIATOR
52	ZMS-185	RADIATOR BRACKET LOWER

53	FNM10-NT	10mm T TYPE NYLOC NUT
54	FNM10-SW	SPRING WASHER
55	RLY-001	WIRE LANYARD
57	951 790	CLAMP 50-70
58	825 440	AIR SILENCER ADAPTOR
59	825 511	AIR FILTER
60	825 337	AIR INTAKE MUFFLER
62	EXH-035	EXHAUST MAIN MUFFLER
63	ZPL-119	462 ENGINE PLATE REAR
64	ZPL-019	ENGINE PLATE
65	FBM6-40	M6 x 40mm HEX HT BOLT
67	ZMA-072	RIGHT HAND HOSE CONNECTOR
68	ZSP-013	THROTTLE CABLE BUSH
69	ZMS-188	HEAD MOUNTING PLATE
70	RT-2H-HD3	30DEG BENT TANG
71	EFLH-2	FUEL HOSE (30mm)
72	PMC-SB8	8mm SKIFFY RING
73	HTW-006	CABLE TIE (BLACK, LARGE)

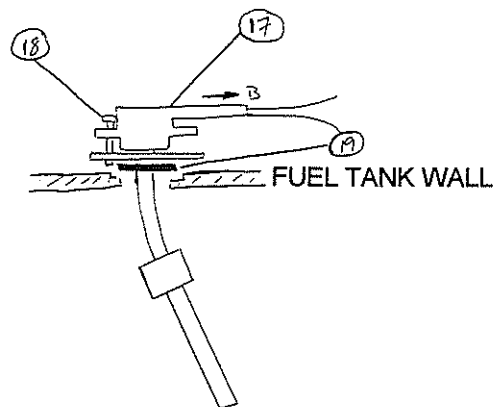
# 912 FUEL SYSTEM



## DETAIL A



TOP VIEW OF REAR LEFT  
HAND SIDE OF FUEL TANK

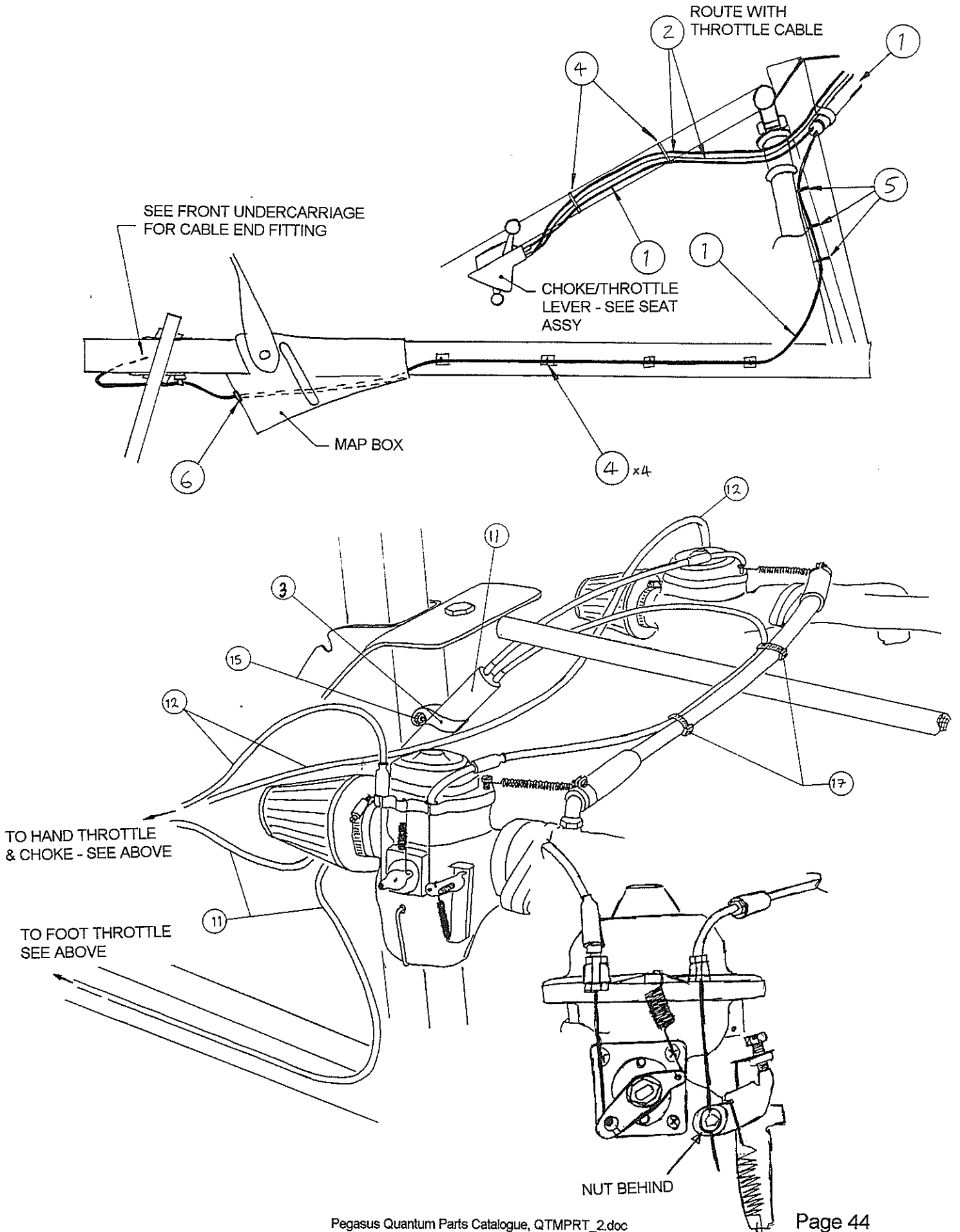


## 912 FUEL SYSTEM

ITEM	PART NUMBER	DESCRIPTION
1	EFT-4	UNDERSLUNG FUEL TANK
2	TQU-20200	30LT FUEL TANK PICKUP PIPE
3	EFLH-7	6.4mmID, 1.6mm WALL FUEL HOSE (1010mm)
4	EFLH-2	FUEL HOSE (310mm)
5	EFF-1	INLINE FILTER PF-1
6	EFTC-5	DRAIN PLUG
7	EFF-5	FORD FUEL STRAINER
8	EFTC-8	15/16"ID x 1/8"DIA O RING
9	EFW-1	0.75" x 0.52" x 0.06" FIBRE WASHER
10	HCI8-001	1/2" O CLIP
11	HCM12-001	11-13mm NPL HOSE CLIP
12	FWM6-SW	6mm SPRING WASHER
13	FCM6-10	M6 x 10mm SOCKET CAP SCREW
14	940 557	NIPPLE
15	TQU-20400	30LT FUEL TANK RESTRICTOR TUBE
16	EFTC-17	BLACK FUEL TANK CAP
17	EFG-5	LTS ELECTRONIC FUEL GAUGE
18	FCM5-8	M5 x 8mm SOCKET CAP SCREW
19	EFTC-18	O RING
20	FMS6-18	M6 x 18mm NYLON NUMBER PLATE BOLT
21	FWP-004	6mm x DIA16 PLASTIC WASHER
22	ZSP-031	THROTTLE CABLE BUSH
23	FPN6-10	M6 x 10mm PLASTIC HX NUT
24	FW3-12	3/16" x 3/4" x 1/16" STEEL WASHER
25	FCM5-16	M5 x 16mm SOCKET CAP SCREW
26	RLY-003	FUEL CAP LANYARD
27	FNM5-NT	5mm T TYPE NYLOC NUT
28	HS-004	RETURN SPRING (OVERSTRETCH TO 4")

\*

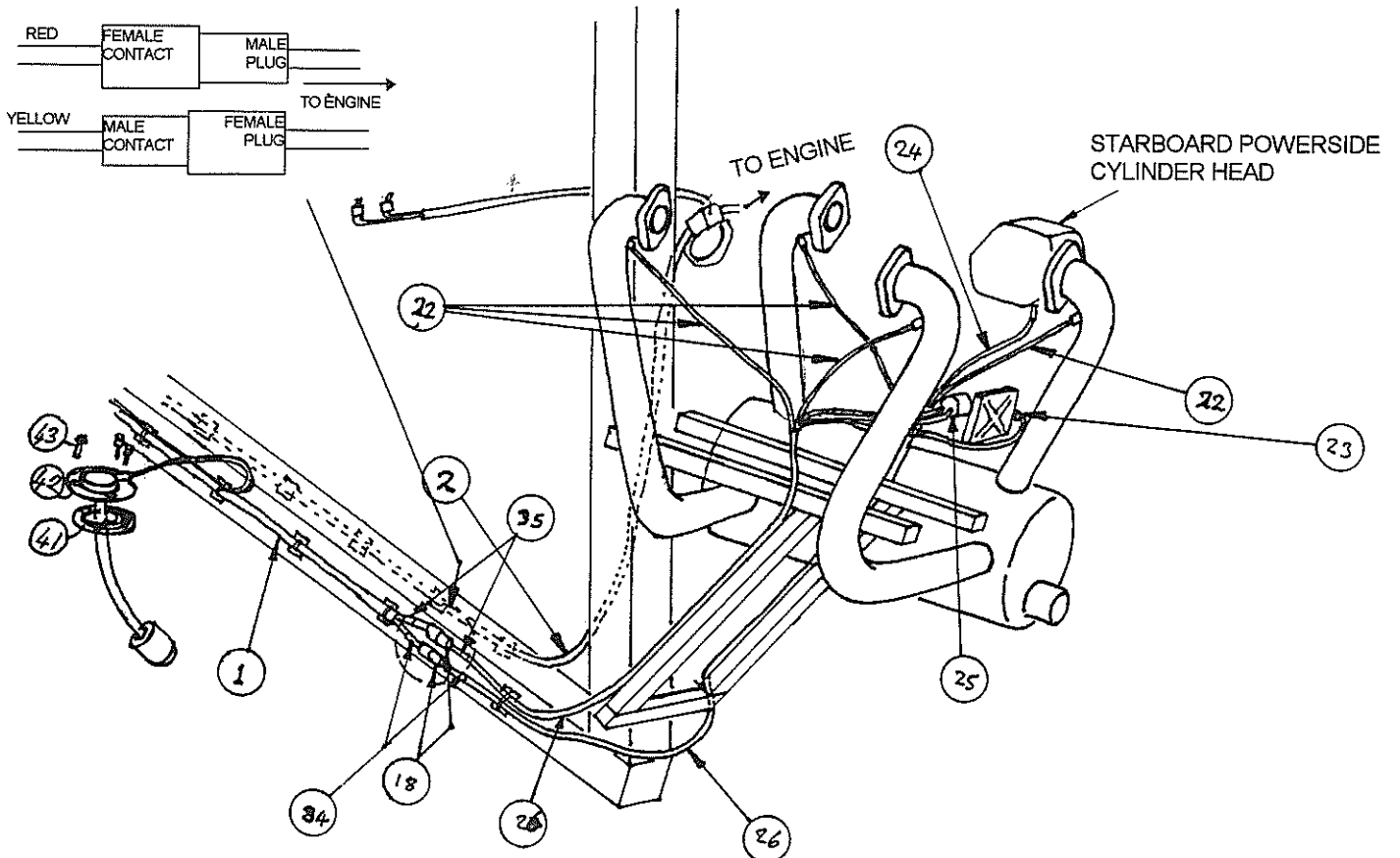
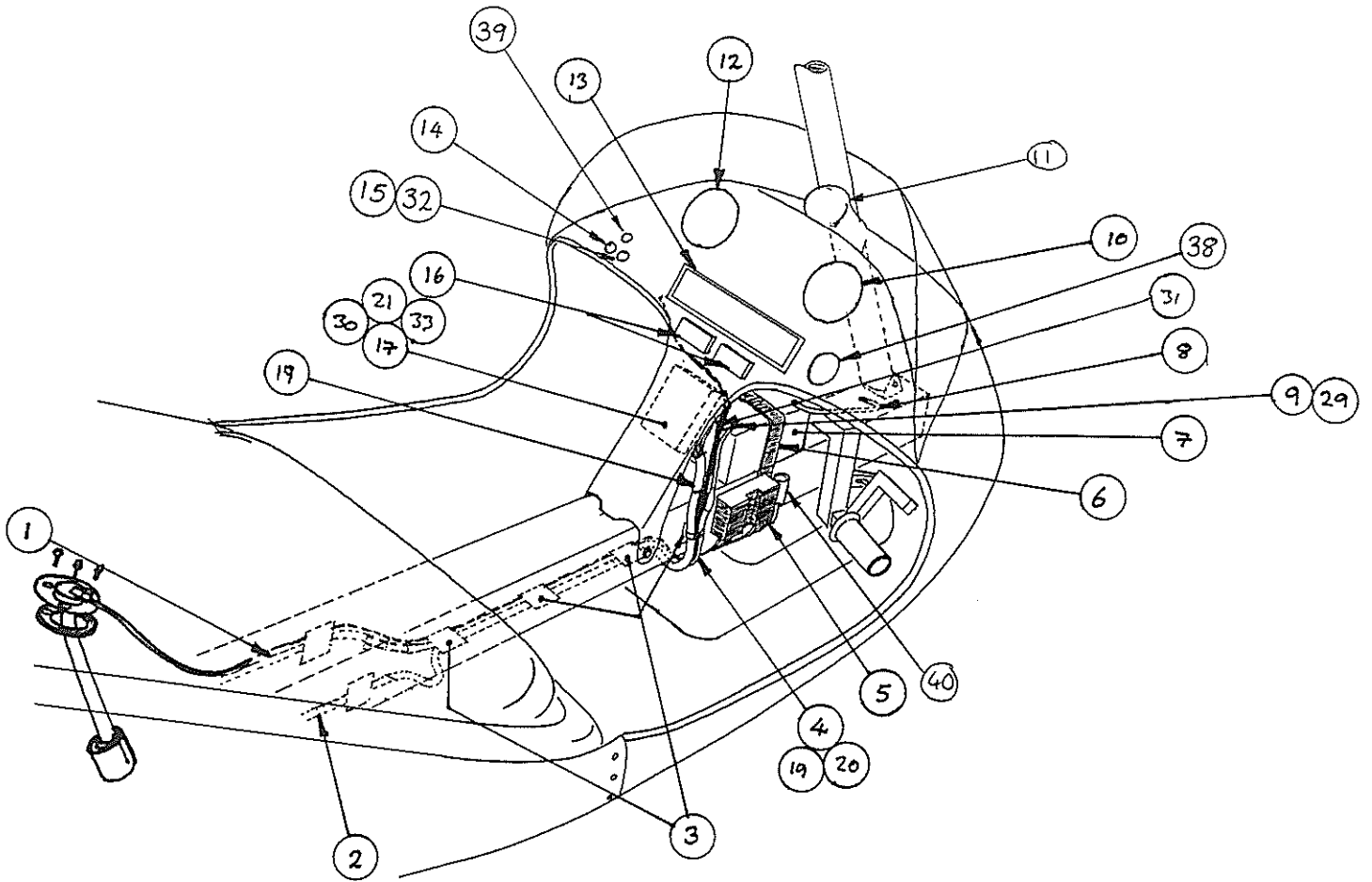
# 912 THROTTLE AND CHOKE



## 912 THROTTLE AND CHOKE

ITEM	PART NUMBER	DESCRIPTION
1	TQB-16216	912 THROTTLE CABLE
2	TQB-16206	912 CHOKE CABLE
3	HCC-005	1" WHITE P CLIP
4	HTW-002	CABLE TIE (SMALL, BLACK)
5	HTW-006	CABLE TIE (LARGE, BLACK)
6	PMM-014	STANDARD GROMMET
11	TQB-16216	912 THROTTLE CABLE
12	TQB-16206	912 CHOKE CABLE
13	HTW-003	CABLE TIE (MEDIUM, WHITE)
15	FNM6-NT	6mm T TYPE NYLOC NUT
17	HTW-001	CABLE TIE (SMALL, WHITE)

# 912 ELECTRICAL

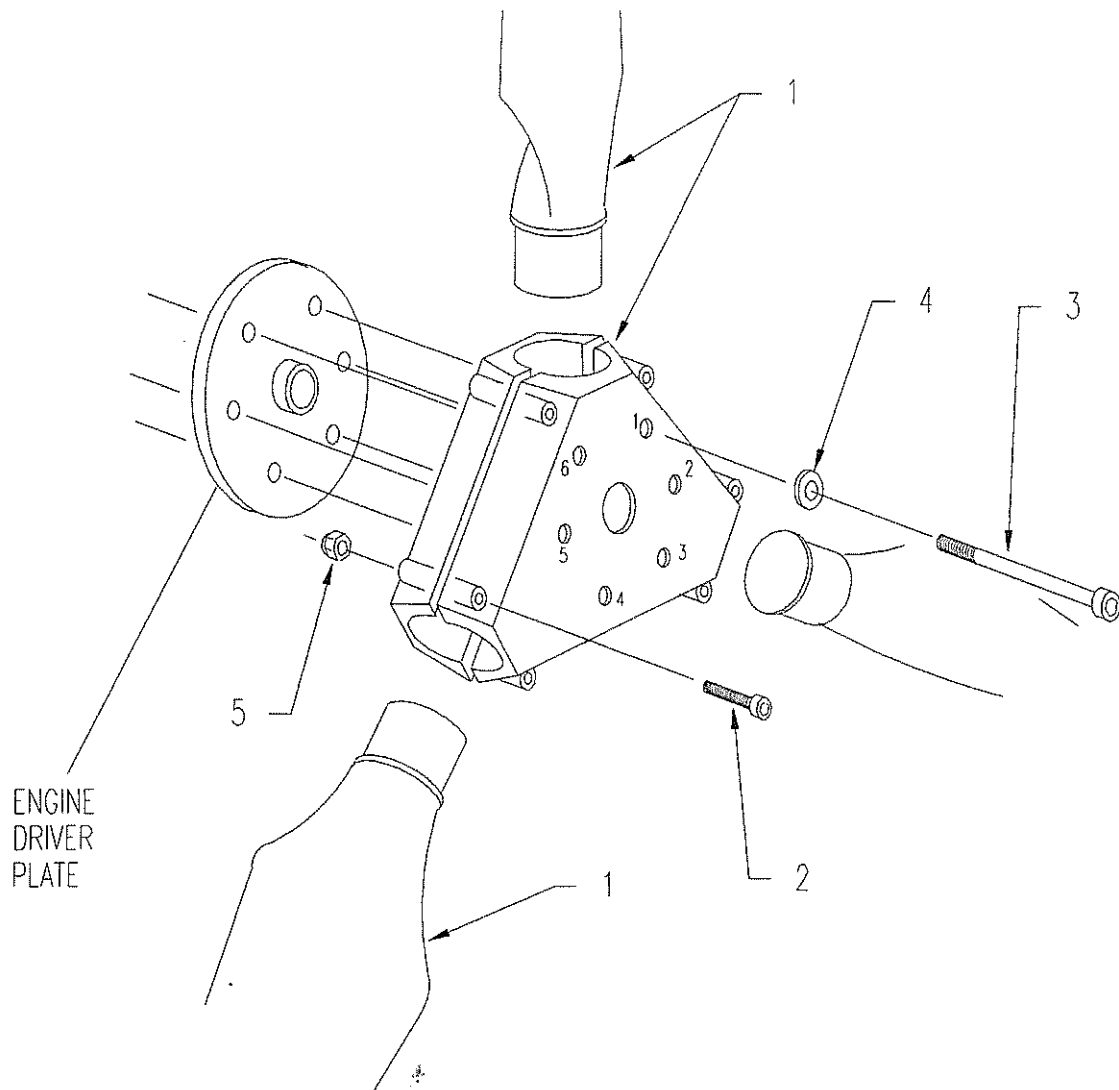


## 912 ELECTRICAL

ITEM	PART NUMBER	DESCRIPTION
1	LC-021	20 CORE CABLE
2	TQU-16534	POWER WIRING LOOM
3	HTW-002	CABLE TIE (SMALL, BLACK)
4	LC-009	10mm RED CABLE
5	965 335/345	DUCATI REGULATOR
6	TQB-18151	912 BATTERY STRAP
7	LB-004	12V BATTERY
8	LC-002	EARTH STRAP
9	LT-035	HEAVY DUTY CRIMP TERMINAL
10	IFALT-4	ALTIMETER
11	IFCOM-1	STALK COMPASS
12	IFASI-5	AIR SPEED INDICATOR
13	IFLYD-5	ROTAX 912 FLYDAT °C
14	LS-007	PUSH BUTTON SWITCH
15	LS-006	2 POSITION KEY SWITCH
16	IEAT-001	TEMPERATURE SENSORS
17	LT-033	COMMONING BLOCK
	LT-034	COMMONING BLOCK END
18	LT-008	SURE SEAL RECEPTACLE
	LT-007	SURE SEAL PLUG HOUSING
19	PHS3-001	3/8" BLACK HEAT SHRINK (50mm)
20	LR-002	10mm BRAIDED SLEEVING (250mm)
21	LT-038	CRIMP CONNECTOR RECEPTACLE
22	PART OF FLYDAT	EGT
23	965 530	OIL TEMP
24	PART OF FLYDAT	OIL PRESSURE
25	PART OF FLYDAT	OIL PRESSURE
26	LR-002	10mm BRAIDED SLEEVING
29	LT-020	CRIMP CONNECTOR
30	LF-005	SCOTCHLOCK FUSE HOLDER
31	LC-011	1.5mm RED CABLE
32	LT-006	CRIMP CONNECTOR (SMALL)
33	LF-009	15 AMP BLADE FUSE
34	PHS8-003	1" YELLOW HEAT SHRINK
35	PHS8-002	1" RED HEAT SHRINK
36	LT-012	ITT CRIMP SOCKET
37	LT-013	ITT CRIMP CONTACT
38	EFG-5	LTS ELECTRONIC FUEL GAUGE
39	IEBSM-2	BATTERY STATE MONITOR
40	LT-029	35v 2200µF CAPACITOR



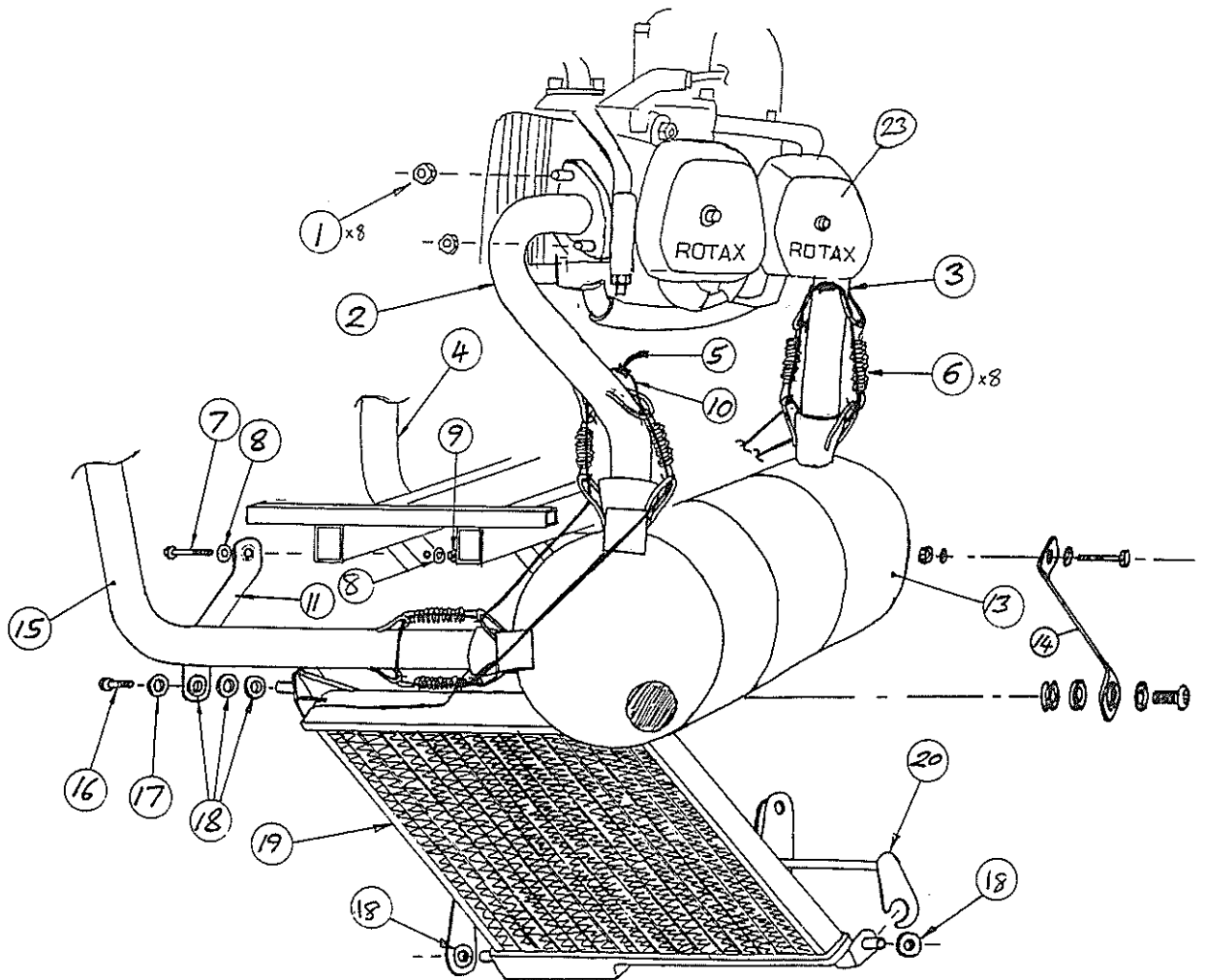
# 912 PROPELLER



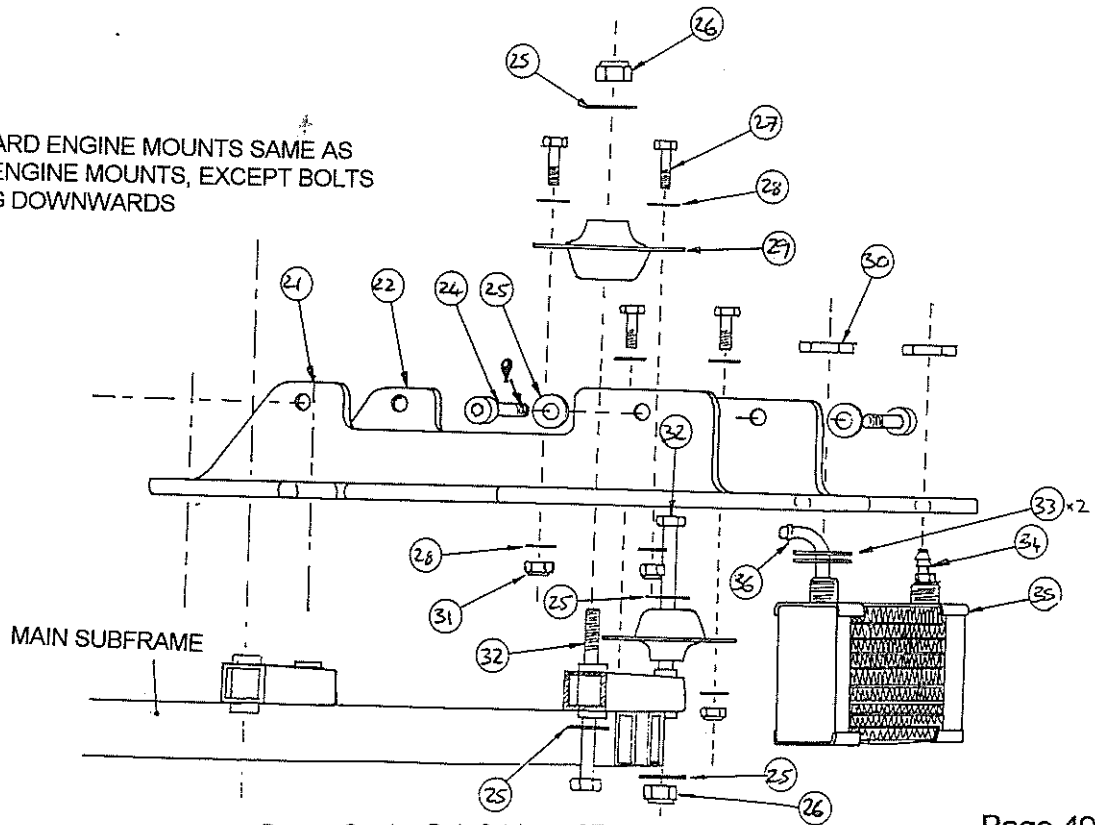
# 912 PROPELLER

ITEM	PART NUMBER	DESCRIPTION
1	EP174-167L/3	174L 104/3 ECOPROP
2	FCM6-25	M6 x 25mm CAP HEAD SET SCREW
3	SUPPLIED WITH PROP	M8 x 90 CAP HEAD BOLT
4	FWM8-BEL	M8 BELVILLE WASHER
5	FNM6-NP	6mm P TYPE NYLOC NUT

# 912 POWERPLANT

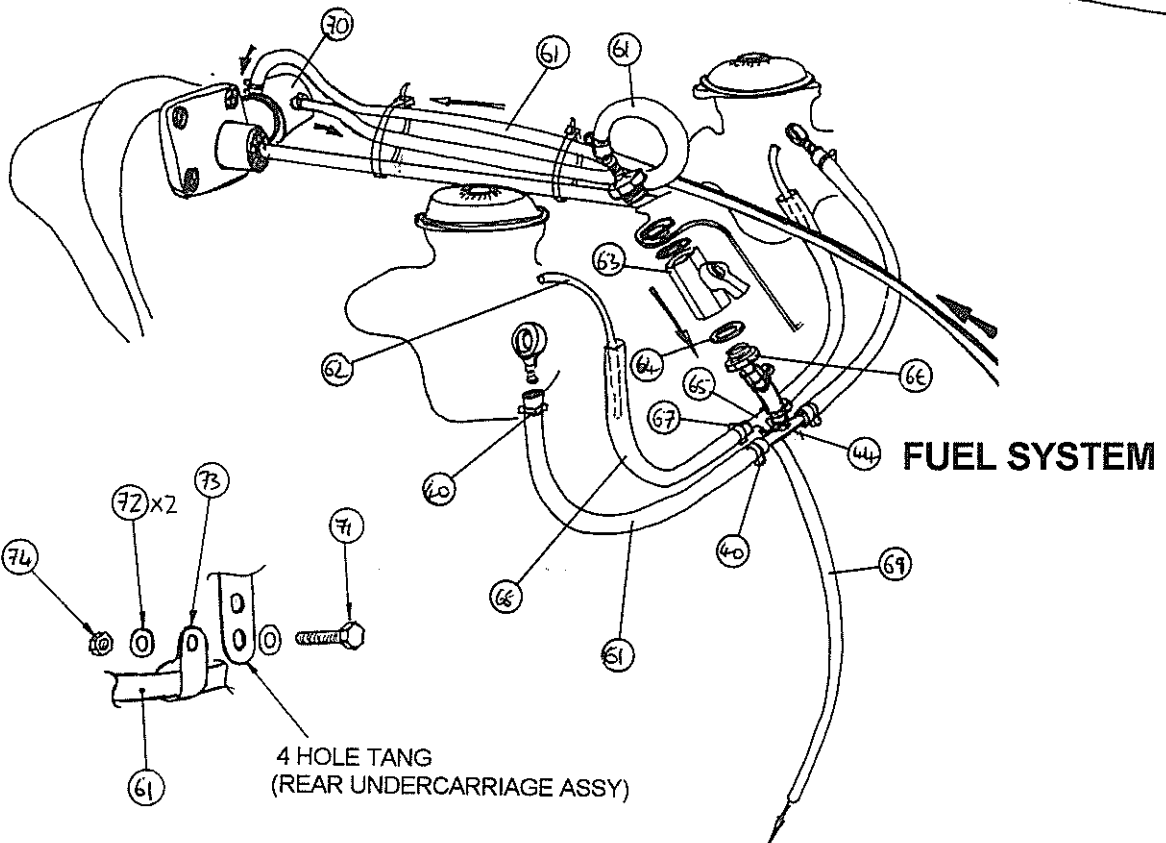
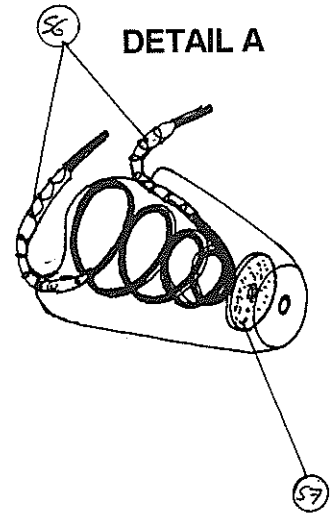
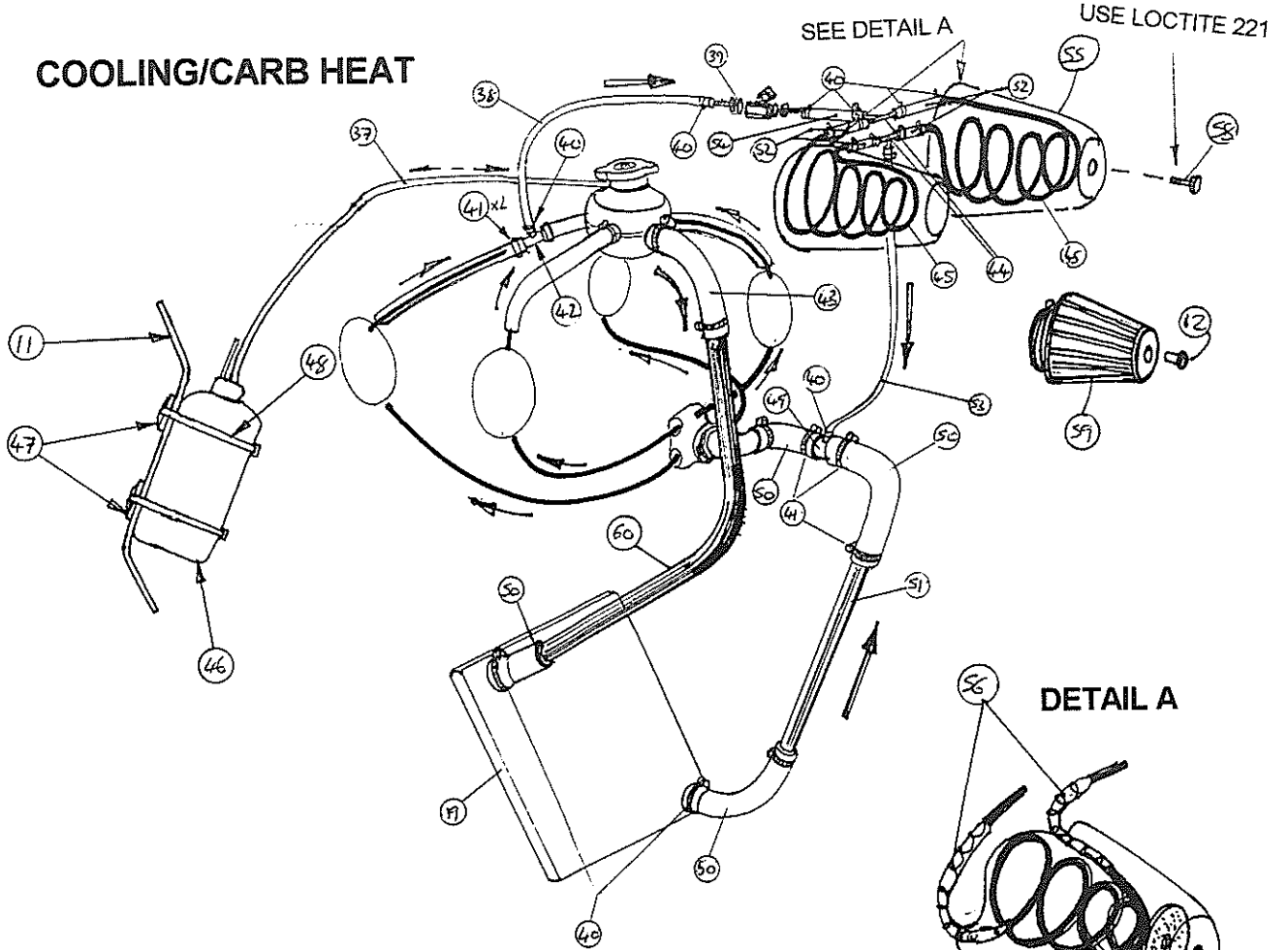


FORWARD ENGINE MOUNTS SAME AS REAR ENGINE MOUNTS, EXCEPT BOLTS FACING DOWNWARDS



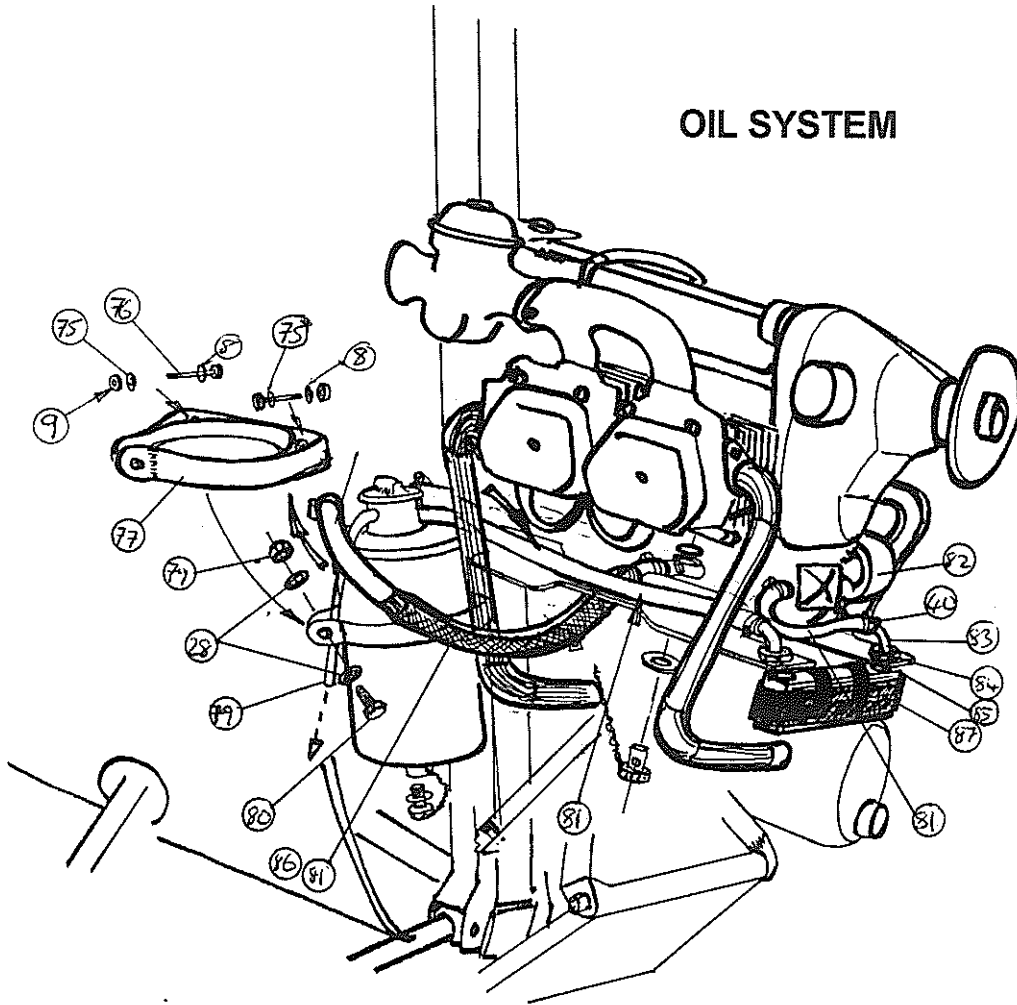
# 912 POWERPLANT

## COOLING/CARB HEAT

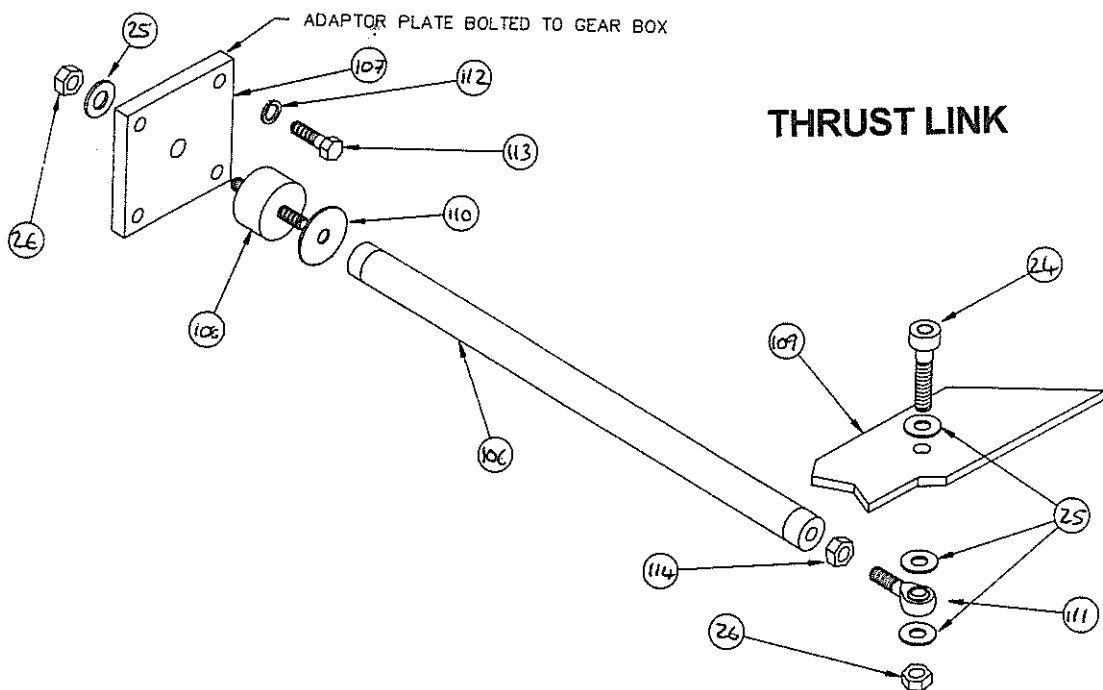


# 912 POWERPLANT

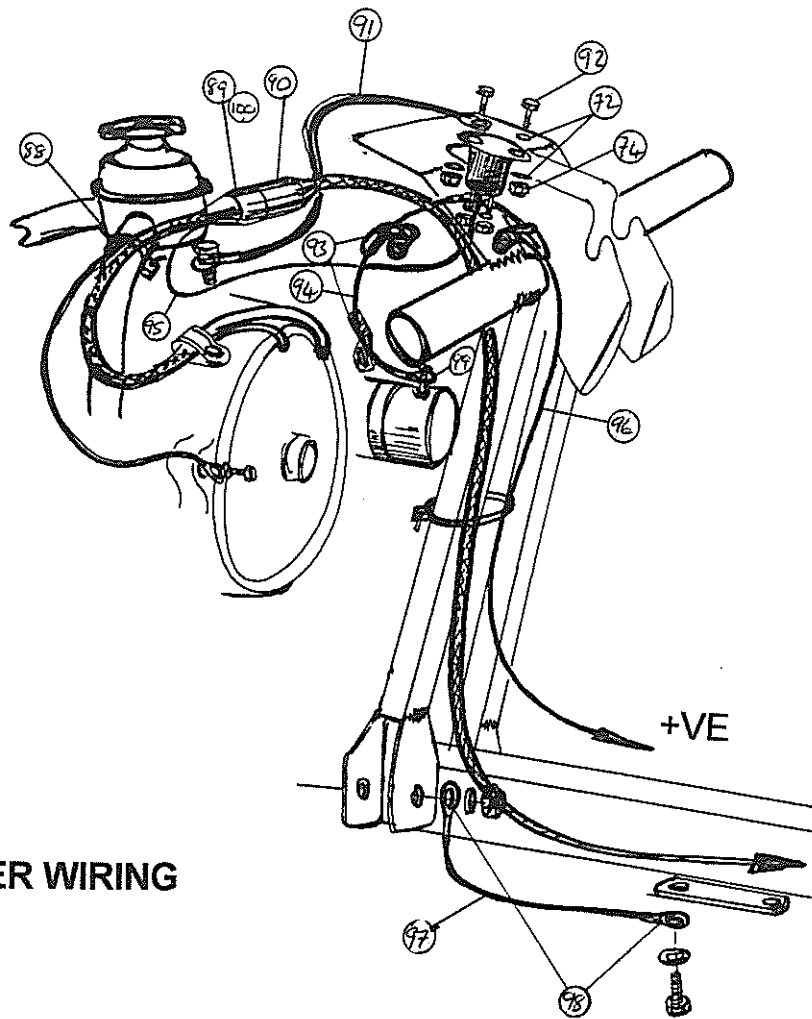
## OIL SYSTEM



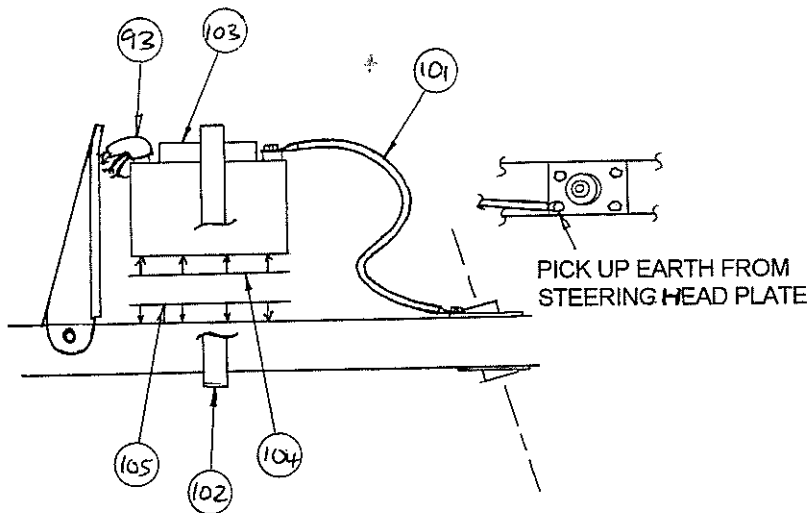
## THRUST LINK



# 912 POWERPLANT



## POWER WIRING



## 912 POWERPLANT

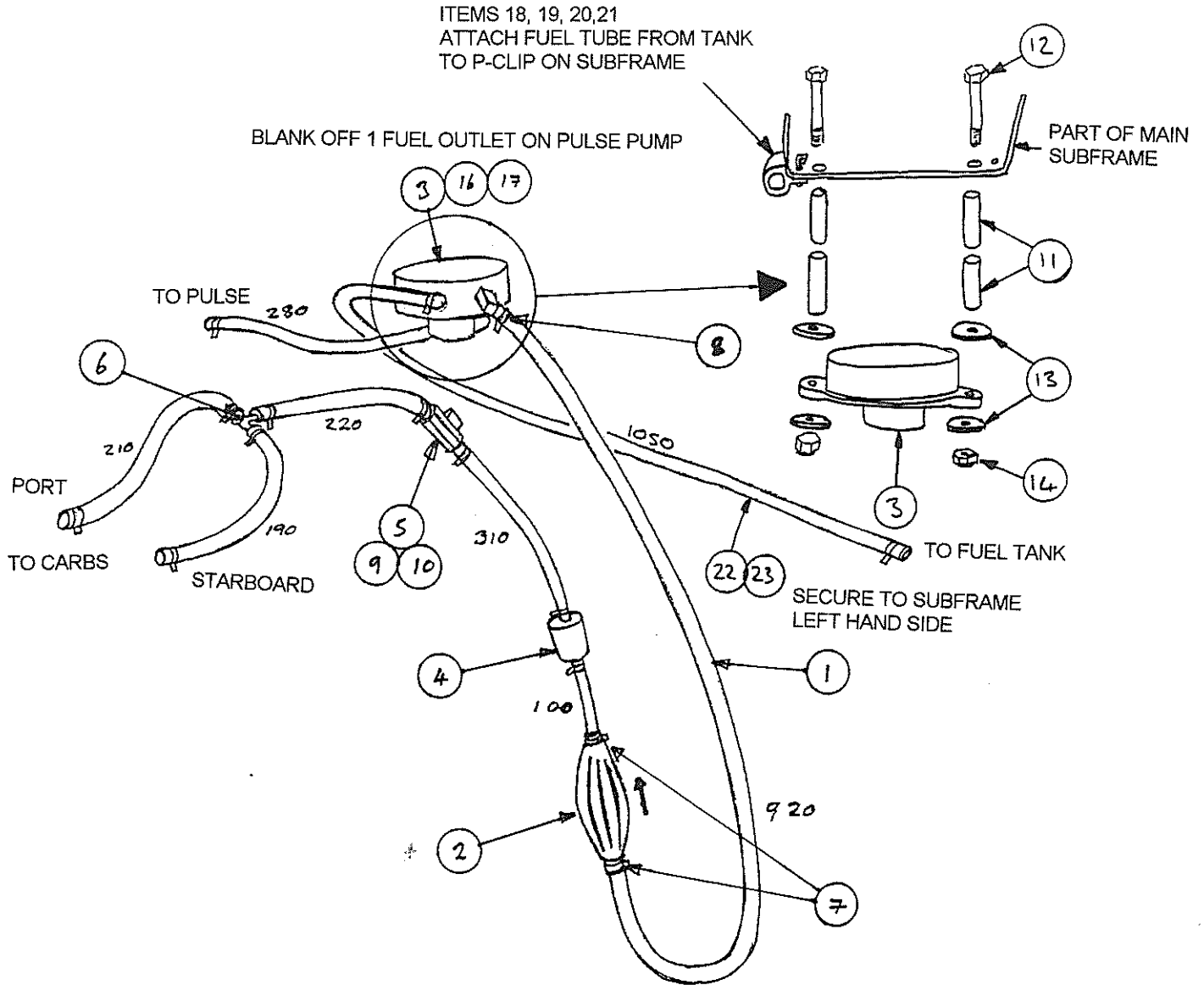
ITEM	PART NUMBER	DESCRIPTION
1	942 035	M8 STIFF NUT
2	TQU-20320	RIGHT HAND REAR EXHAUST
3	TQU-20330	RIGHT HAND FRONT EXHAUST
4	TQU-20310	LEFT HAND FRONT EXHAUST
5	RF2-CCU	2mm COPPER FERRULE
6	938 795	EXHAUST SPRING
7	FBM5-30	M5 x 30mm HEX HT BOLT
8	FWM5-B	5mm FORM B WASHER
9	FNM5-NP	5mm P TYPE NYLOC NUT
10	RW1.5-SSC	1.5mm 7x7 STAINLESS WIRE
11	ZMS-259	LEFT HAND RADIATOR BRACKET
12	FNS-2	6mm NUTSERT
13	978 480	912 EXHAUST MUFFLER
14	ZMS-260	RIGHT HAND RADIATOR BRACKET
15	TQU-20300	LEFT HAND REAR EXHAUST
16	FMS8-15	M8 x 20mm SOCKET BTN SET
17	PMC-SB8	M8 SKIFFY WASHER
18	PMM-008	RUBBER GROMMET
19	ELR-002	MODIFIED WATER RADIATOR
20	ZMS-185	LOWER RADIATOR BRACKET
21	ZPL-023	LEFT HAND ENGINE MOUNT ANGLE
22	ZPL-022	RIGHT HAND ENGINE MOUNT ANGLE
23	PP912/1	ROTAX 912 ENGINE
24	FCM10-35	M10 x 35mm CAP HEAD BOLT
25	FWM10-B	10mm FORM B WASHER
26	FNM10-NT	10mm T TYPE NYLOC NUT
27	FBM8-20	M8 x 20mm HEX HT BOLT
28	FWM8-B	8mm FORM B WASHER
29	100640	ENGINE MOUNT
30	242 871	M22 THIN NUT
31	FNM8-NT	8mm T TYPE NYLOC NUT
32	FBM10-80	M10 x 80mm HEX HT BOLT
33	FWM24-B	24mm FORM B WASHER
34	840 447 / 840 449	OIL COOLER NIPPLE (OLD/NEW)
35	886 025 / 886 027	OIL COOLER (OLD/NEW)
36	924 218 / 924 583	OIL COOLER 90DEG CONNECTOR (OLD/NEW)
37	PTM4-001	4mmID (1mm WALL) SILICONE TUBE
38	EFLH-2	FUEL HOSE (180mm)
39	EFLC-7	IN LINE FUEL TAP
40	HCJ-002	30-40mm JUBILEE CLAMP
41	HCJ-004	20-30mm JUBILEE CLAMP
42	PPCH-001	CARB HEAT OUTLET
43	ELH-003	RADIATOR HOSE RH899 - CUT TO LENGTH
44	EFLC-8	STEEL T PIECE
45	PPCH-002	HEAT EXCHANGER COIL
46	PMM-028	EXPANSION BOTTLE
47	HTM-001	CABLE TIE MOUNT, LARGE

48	HTW-003	CABLE TIE (WHITE, MEDIUM)
49	PPCH-003	CARB HEAT INLET
50	ELH-002	RADIATOR HOSE RH1682 - CUT TO LENGTH
51	ZMA-073	LONG HOSE CONNECTOR
52	EFLH-2	FUEL HOSE (220mm)
53	EFLH-2	FUEL HOSE (300mm)
54	EFLH-2	FUEL HOSE (100mm)
55	PPCH-004	INTAKE SHIELD
56	HSW-001	SPIRAL CABLE WRAP 13mm
57	PPCH-005	COIL PROTECTION PAD
58	FSM6-20	M6 x 20mm SET SCREW
59	TQB-90523	K&N AIR FILTER AND CLIP
60	ZMA-082	RADIATOR HEADER PIPE
61	EFLH-2	FUEL HOSE
62	256 035	CARBURETTOR VENT
63	EFLC-3	1/4" BSP FUEL TAP
64	EFW-1	0.75" x 0.52" x 0.06" FIBRE WASHER
65	EFLC-9	PLASTIC T PIECE
66	EFLC-2	1/4" BSP THREADED SPIGOT
67	HCI9-001	9/16" O CLIP
68	EFLH-8	9.6mmID, 1.6mm WALL FUEL TUBE
69	EFLH-8	9.6mmID, 1.6mm WALL FUEL TUBE (1000mm)
70	996 590	FUEL PUMP
71	FSM6-16	M6 x 16mm HEX HT BOLT
72	FW4-T3	1/4" T3LP WASHER
73	HCC-003	1/2" NYLON P CLIP
74	FNM6-NT	6mm T TYPE NYLOC NUT
75	FW3-12	3/16" x 3/4" x 1/16" WASHER
76	FBM5-35	M5 x 35mm HEX BOLT
77	TQA-15270	EXHAUST STRAP
78	FNM8-NP	8mm P TYPE NYLOC NUT
79	EFLH-7	6.4mmID, 1.6mm WALL FUEL TUBE (300mm)
80	FBM8-30	M8 x 30mm HEX HT BOLT
81	958 390	HOSE (500mm)
82	825 701	OIL FILTER
83	924 218	OIL COOLER ELBOW
84	886 025	THIN NUT, OIL COOLER
85	886 025	ROTAX 912 OIL COOLER
86	ELH-004	FIRE PROFF SLEEVING (120mm)
87	RAD-001	OIL RADIATOR COVER
88	HTW-002	CABLE TIE (BLACK, SMALL)
89	LT-007	SURE SEAL PLUG HOUSING
90	LT-008	SURE SEAL RECEPTACLE HOUSING
91	LC-002	EARTH STRAP
92	FBM6-25	M6 x 25mm HEX HT BOLT
93	EFF-7	TERMINAL COVER PLUG CAP
94	LC-009	10mm RED CABLE
95	LC-012	1.5mm BLACK WIRE
96	LC-009	10mm RED CABLE
97	LC-010	10mm BLACK CABLE
98	LT-035	HEAVY DUTY CRIMP TERMINAL

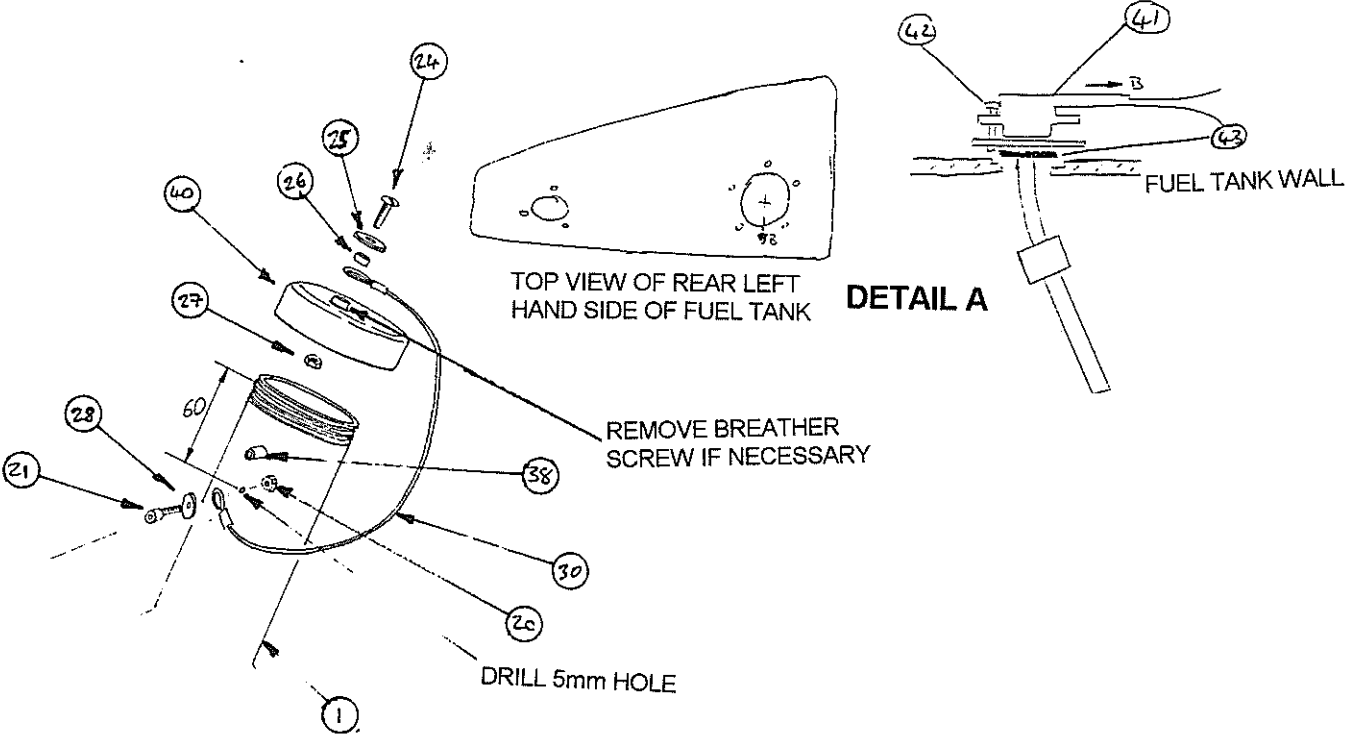
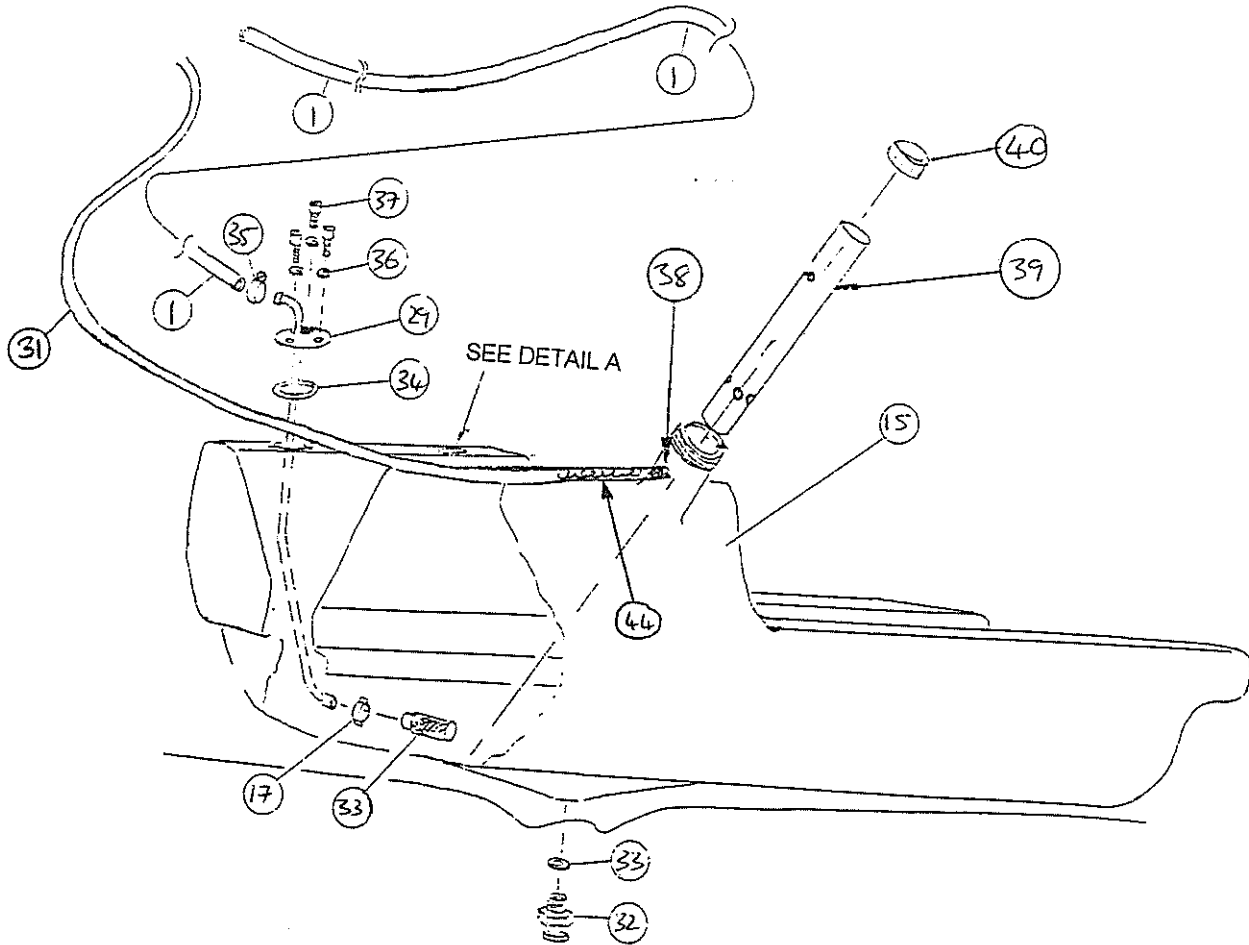
99	LT-025	6mm BLUE RING CONNECTOR
100	LT-012	ITT CAN/CRIMP SKT
101	LC-002	EARTH STRAP
102	TQB-18150	BATTERY STRAP
103	LB-004	12V BATTERY
104	VW50-004	ADHESIVE VELCRO 50mm BLACK LOOP
105	VW50-044	ADHESIVE VELCRO 50mm BLACK HOOK
106	ZMS-258	THRUST LINK
107	ZMS-262	THRUST LINK ADAPTER PLATE
108	EVI-007	2 BOLT MOUNT
109	ZMS-253	MAIN SUB-FRAME
110	100388	M10 x 35 x 2 WASHER
111	BEA-RE-2	ROD END BEARING
112	FWM6-SW	6mm SPRING WASHER
113	FSM6-20	M6 x 20mm SET SCREW
114	FNM10-G8	M10 FULL NUT



# HKS FUEL SYSTEM



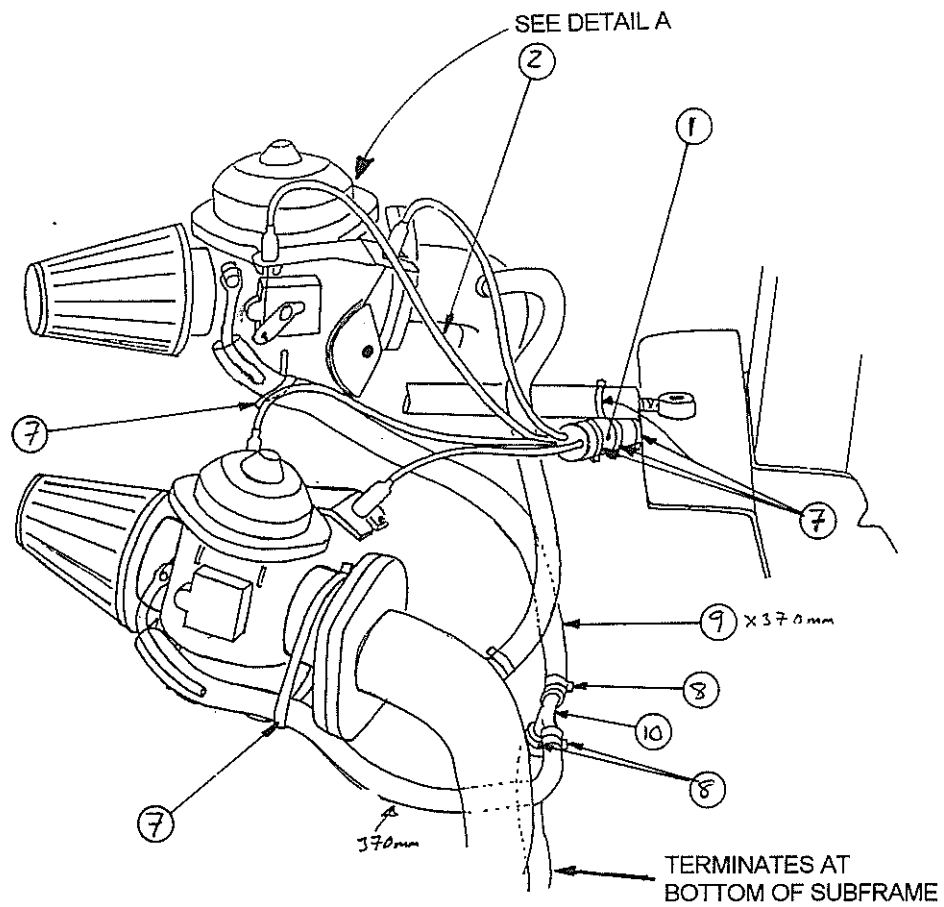
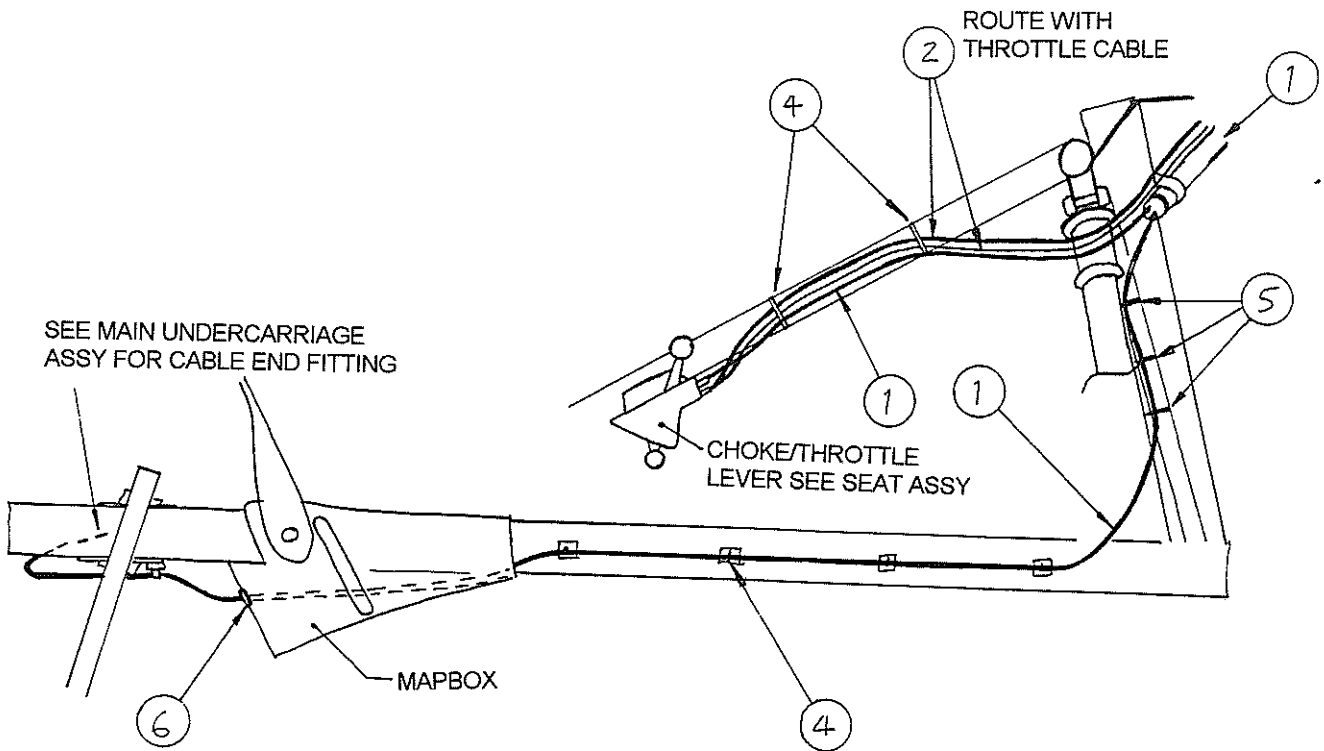
# HKS FUEL SYSTEM



## HKS FUEL SYSTEM

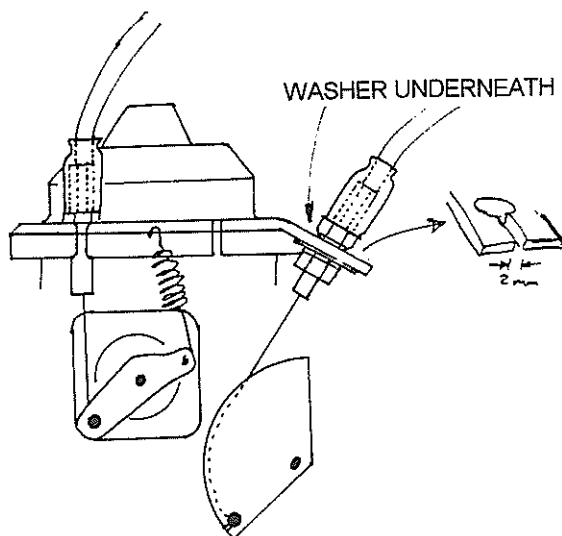
ITEM	PART NUMBER	DESCRIPTION
1	EFLH-2	FUEL HOSE (3280mm)
2	EFLC-6	PRIMER BULB
3	27400-403342	PULSE PUMP
4	EFF-1	INLINE FILTER PF-1
5	EFLC-3	BSP FUEL TAP
6	EFLC-8	STEEL T-PIECE
7	HCJ-008	12-20mm HOSE CLIP
8	HCM12-001	11-13mm HOSE CLIP
9	EFLC-2	1/4" THREADED SPIGOT
10	EFW-1	0.75" x 0.52" x 0.06" FIBRE WASHER
11	ZSP-073	8mmDIA x 1mmWALL x 20mm LONG SPACER
12	FBM6-75	M6 x 75mm HEX HT BOLT
13	FW4-T3	1/4" T3LP WASHER
14	FNM6-NT	6mm T TYPE NYLOC NUT
15	EFT-4	UNDERSLUNG FUEL TANK
16	EFPBR-1	FUEL PUMP BLANKING ROD
17	HC18-001	1/2" O CLIP
18	HCC-003	1/2" NYLON P CLIP
19	FWM5-B	5mm FORM B WASHER
20	FNM5-NT	5mm T TYPE NYLOC NUT
21	FCM5-16	M5 x 16mm CAP HEAD SET SCREW
22	HTM-001	LARGE CABLE TIE MOUNT
23	HTW-003	CABLE TIE (WHITE, MEDIUM)
24	FMS6-18	M6 x 18mm NUMBER PLATE BOLT
25	FWP-004	6mm x DIA16 PLASTIC WASHER
26	ZSP-031	THROTTLE CABLE BUSH
27	FPN6-10	M6 x 10mm PLASTIC HEX NUT
28	FW3-12	3/16" x 3/4" x 1/16" WASHER
29	TQU-20200	FUEL TANK PICKUP PIPE 30lt
30	RLY-003	FUEL TANK CAP LANYARD
31	EFLH-7	6.4mmID, 1.6mm WALL FUEL TUBE
32	EFTC-5	DRAIN PLUG
33	EFF-5	FORD FUEL STRAINER
34	EFTC-8	5/16"ID x 1/8"DIA O RING
35	HCM12-001	11-13mm HOSE CLIP
36	FWM6-SW	6mm SPRING WASHER
37	FCM6-10	M6 x 10mm SOCKET HEAD CAP SCREW
38	940 557	NIPPLE
39	TQU-20400	30LT FUEL RESTICTOR TUBE
40	EFTC-17	FUEL TANK CAP
41	EFG-5	LTS ELECTRONIC FUEL GAUGE
42	FCM5-8	M5 x 8mm SOCKET CAP SCREW
43	EFTC-18	O RING
44	HS-004	RETURN SPRING (OVERSTRETCHED TO 4")

# HKS THROTTLE AND CHOKE



# HKS THROTTLE AND CHOKE

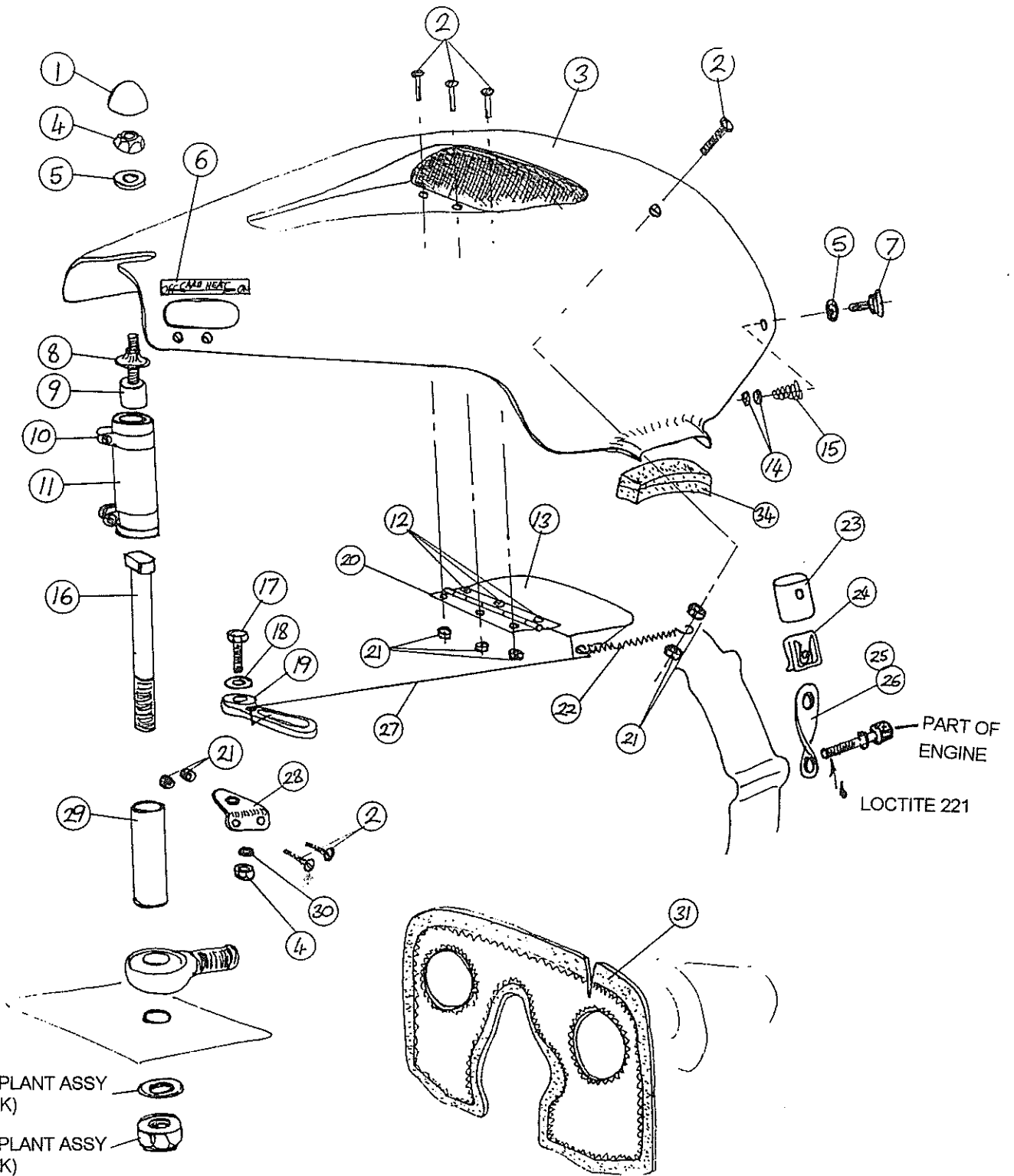
DETAIL A



# HKS THROTTLE AND CHOKE

ITEM	PART NUMBER	DESCRIPTION
1	TQC-16215	THROTTLE CABLE
2	TQC-16205	CHOKE CABLE
4	HTW-002	CABLE TIE (BLACK, SMALL)
5	HTW-006	CABLE TIE (BLACK, LARGE)
6	PMM-014	STANDARD GROMMET
7	HTW-003	CABLE TIE (WHITE, MEDIUM)
8	HCI9-001	9/16" O CLIP
9	EFLH-8	9.6mmID, 1.6mm WALL FUEL TUBE
10	EFLC-11	PLASTIC Y PIECE

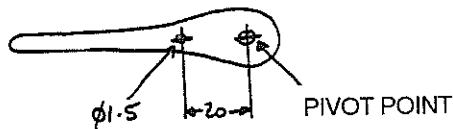
# HKS CARB HEAT COVER - OPTIONAL



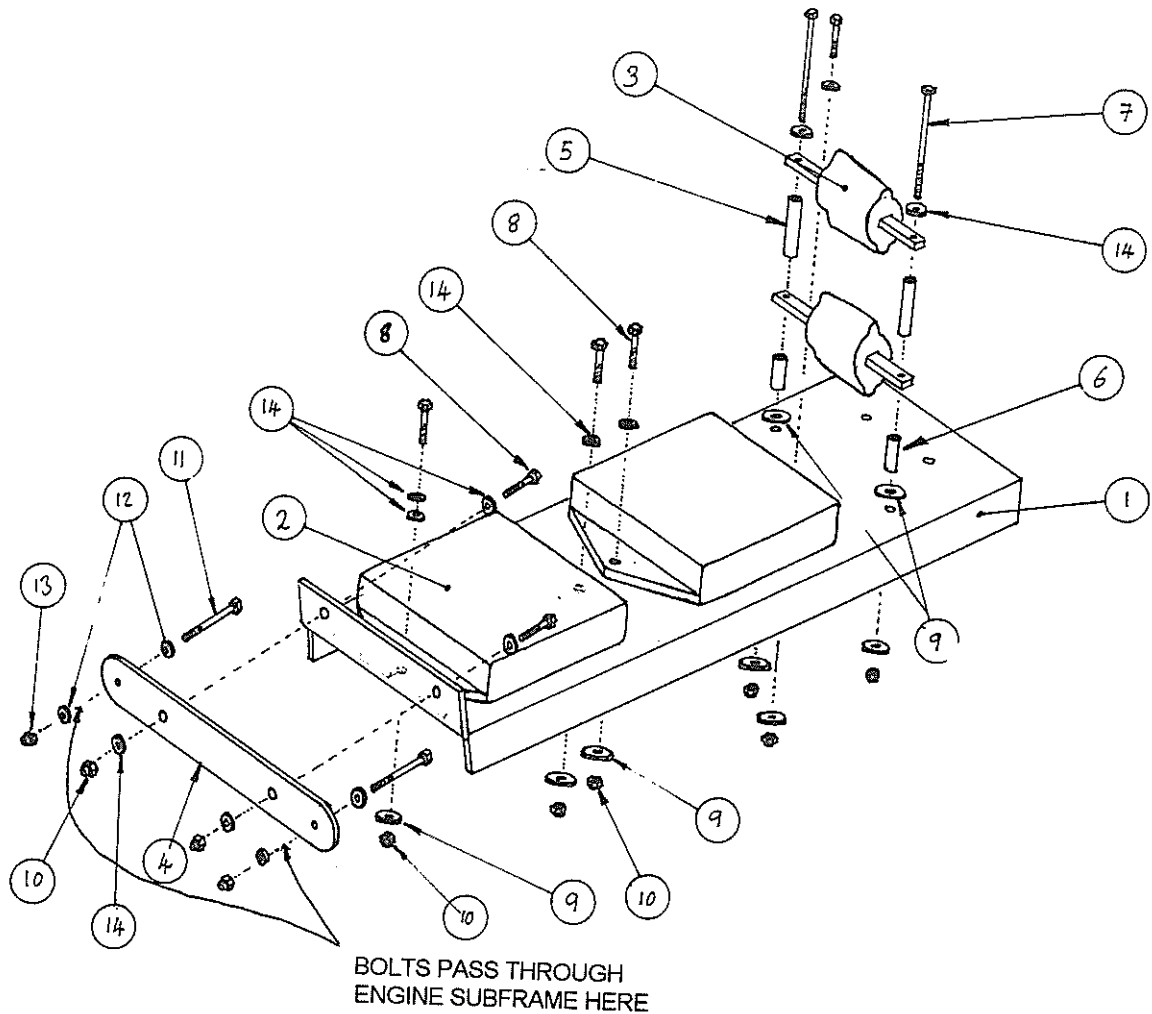
SEE POWERPLANT ASSY  
(THRUST LINK)

SEE POWERPLANT ASSY  
(THRUST LINK)

## ITEM 19



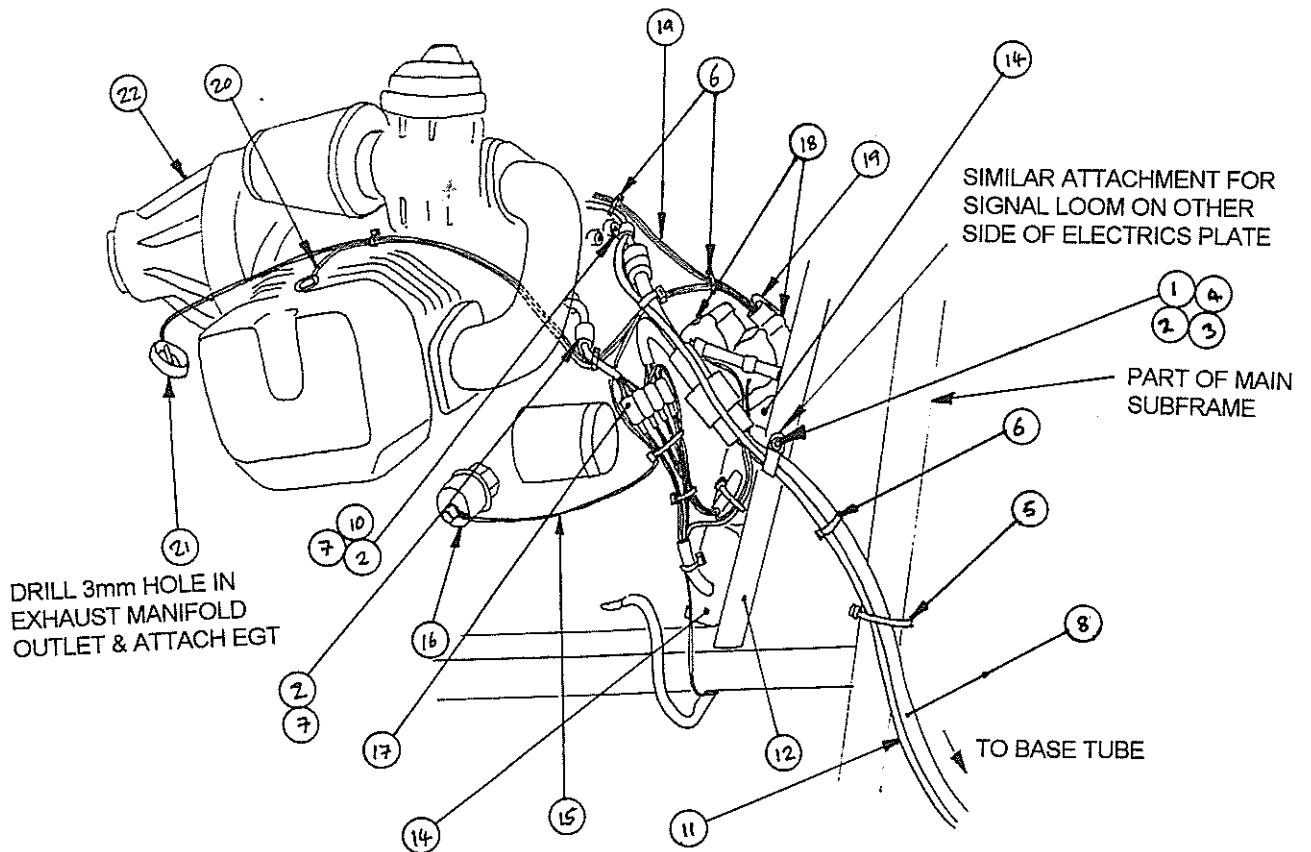
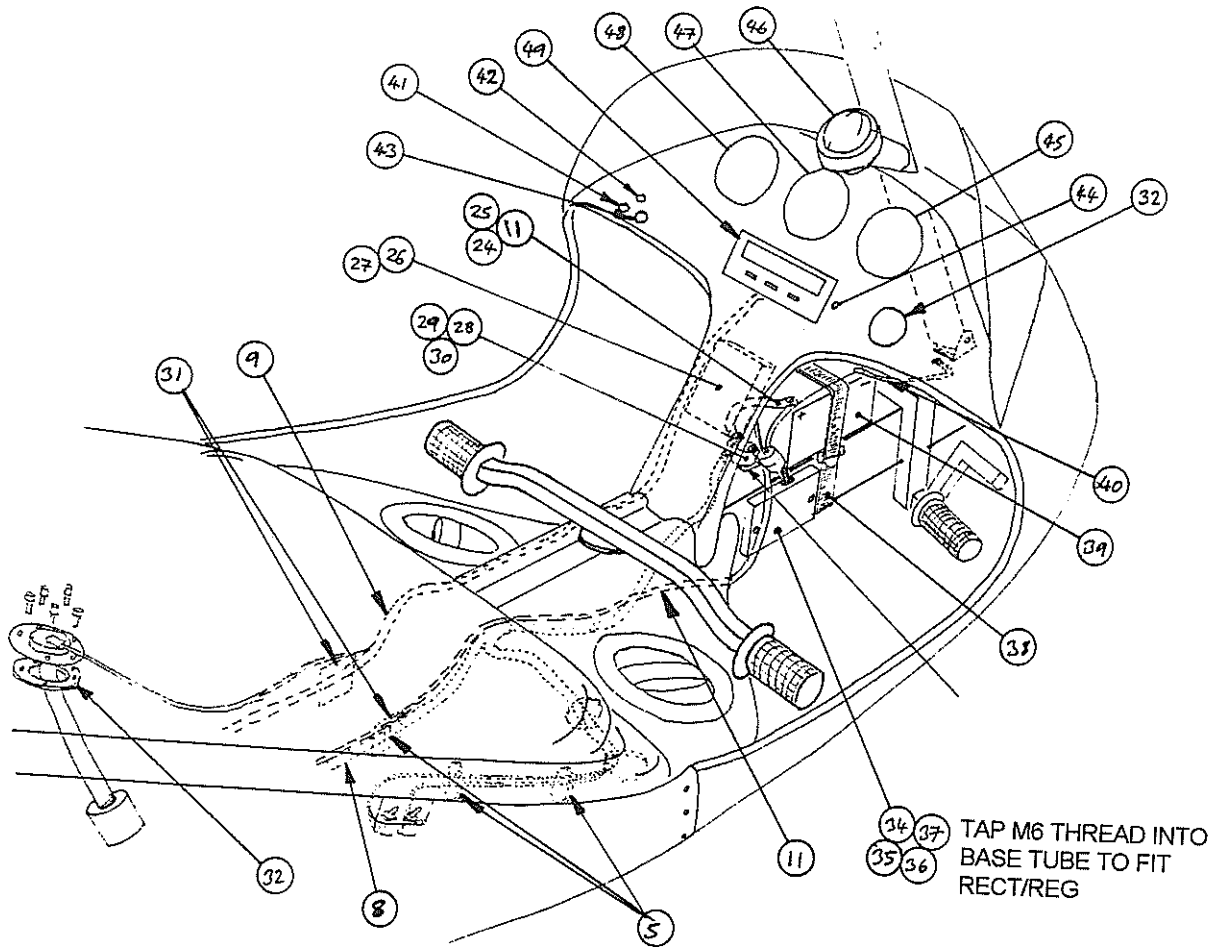
# HKS ELECTRICS MOUNTING PLATE



# HKS ELECTRICS MOUNTING PLATE

ITEM	PART NUMBER	DESCRIPTION
1	ZPL-130	ELECTRICS MOUNTING PLATE
2	19201-413342	CDI UNIT
3	19203-406342	IGNITION COIL ASSEMBLY
4	ZPL-132	ELECTRICS PLATE BRACKET
5	ZSP-070	10mmOD, 6.1mmID 35mm LONG SPACER
6	ZSP-069	10mmOD, 6.1mmID 20mm LONG SPACER
7	FBM6-85	M6 x 85mm HEX HT BOLT
8	FSM6-16	M6 x 16mm HEX HT SET SCREW
9	FW4-12	1/4" x 3/4" x 16 WASHER
10	FNM6-NT	M6 T TYPE NYLOC NUT
11	FBM5-45	M5 x 45mm HEX HT BOLT
12	FWM5-B	M5 FORM B WASHER
13	FNM5-NP	M5 P TYPE NYLOC NUT
14	FW4-T3	1/4" T3LP WASHER

# HKS ELECTRICAL

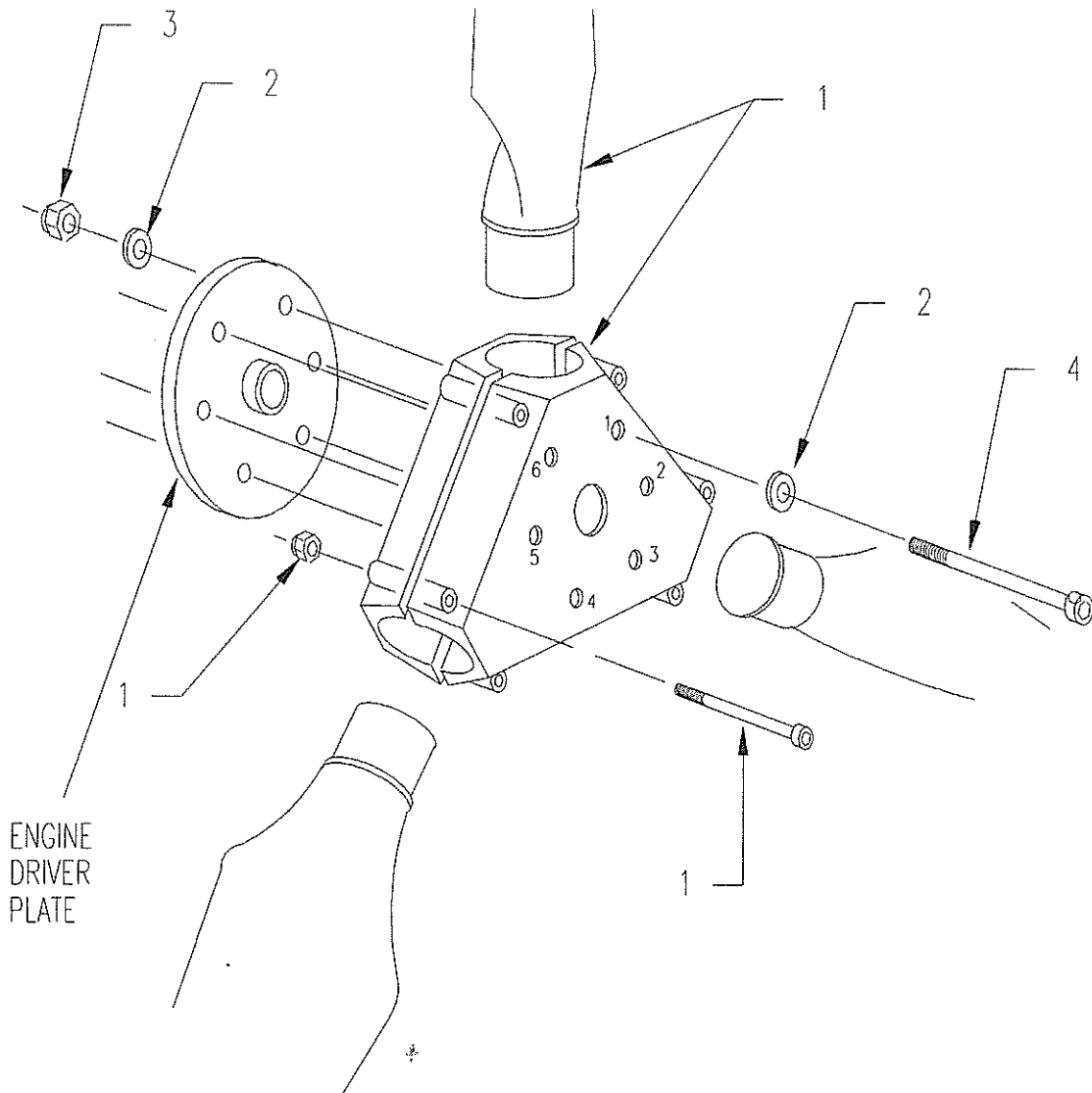




# HKS ELECTRICAL

ITEM	PART NUMBER	DESCRIPTION
1	FSM5-16	M5 x 16mm CAP HEAD SET SCREW
2	HCC-003	1/2" NYLON P CLIP
3	FWM5-B	M5 FORM B WASHER
4	FNM5-NT	M5 T TYPE NYLOC NUT
5	HTW-003	CABLE TIE (WHITE, MEDIUM)
6	HTW-004	CABLE TIE (BLACK, MEDIUM)
7	EFLH-2	FUEL HOSE
8	LC-042	POWER WIRING LOOM
9	LC-043	SIGNAL WIRING LOOM
10	FCM6-10	M6 x 10mm CAP HEAD SCREW
11	LC-009	10mm RED CABLE
12	ZPL-130	ELECTRICS MOUNTING PLATE
14	19201-413342	CDI UNIT
15	PART OF ITEM 9	OIL PRESSURE WIRE, PART OF LC-043
16	IES-7	OIL PRESSURE SENDER
17	LT-045/LT-046	2-PIN CONNECTOR (FEMALE/MALE)
18	19203-406342	IGNITION COIL ASSEMBLY
19	PART OF ITEM 9	OIL TEMP WIRE, PART OF LC-043
20	PART OF ITEM49	CHT SENDER
21	PART OF ITEM49	EGT SENDER
22	PP-700E/1	HKS 700E ENGINE
24	LT-028	HEAVY DUTY CRIMP TERMINAL
25	EFF-7	TERMINAL COVER PLUG CAP
26	LT-033	COMMONING BLOCK
27	LT-034	COMMONING BLOCK END
28	LU-006	STARTER SOLENOID
29	VW50-044	SELF ADHESIVE 50mm VELCRO HOOK
30	VW50-004	SELF ADHESIVE 50mm VELCRO LOOP
31	HTM-001	CABLE TIE MOUNT, LARGE
32	EFG-5	LTS ELECTRONIC FUEL GAUGE
33	HTW-006	CABLE TIE (LARGE, BLACK)
34	27400-407342	RECTIFIER REGULATOR
35	FSM6-20	M6 x 20mm HEX SET SCREW
36	FW4-T3	1/4" T3LP WASHER
37	FWM6-SW	6mm SPRING WASHER
38	TQB-18150	BATTERY STRAP
39	LB-004	12V BATTERY
40	LC-002	EARTH STRAP
41	LS-007	PUSH BUTTON SWITCH
42	IEBSM-2	BATTERY STATE MONITOR
43	LS-006	2 POSITION KEY SWITCH
44	LD-003	12V RED LIGHT INDICATOR
45	IFALT-4	ALTIMETER
46	IFCOM-1	STALK COMPASS
47	IFVSI-3	VERTICAL SPEED INDICATOR
48	IFASI-5	AIR SPEED INDICATOR
49	EIS-A	ADVANCED ENGINE INFORMATION SYSTEM

# HKS PROPELLER

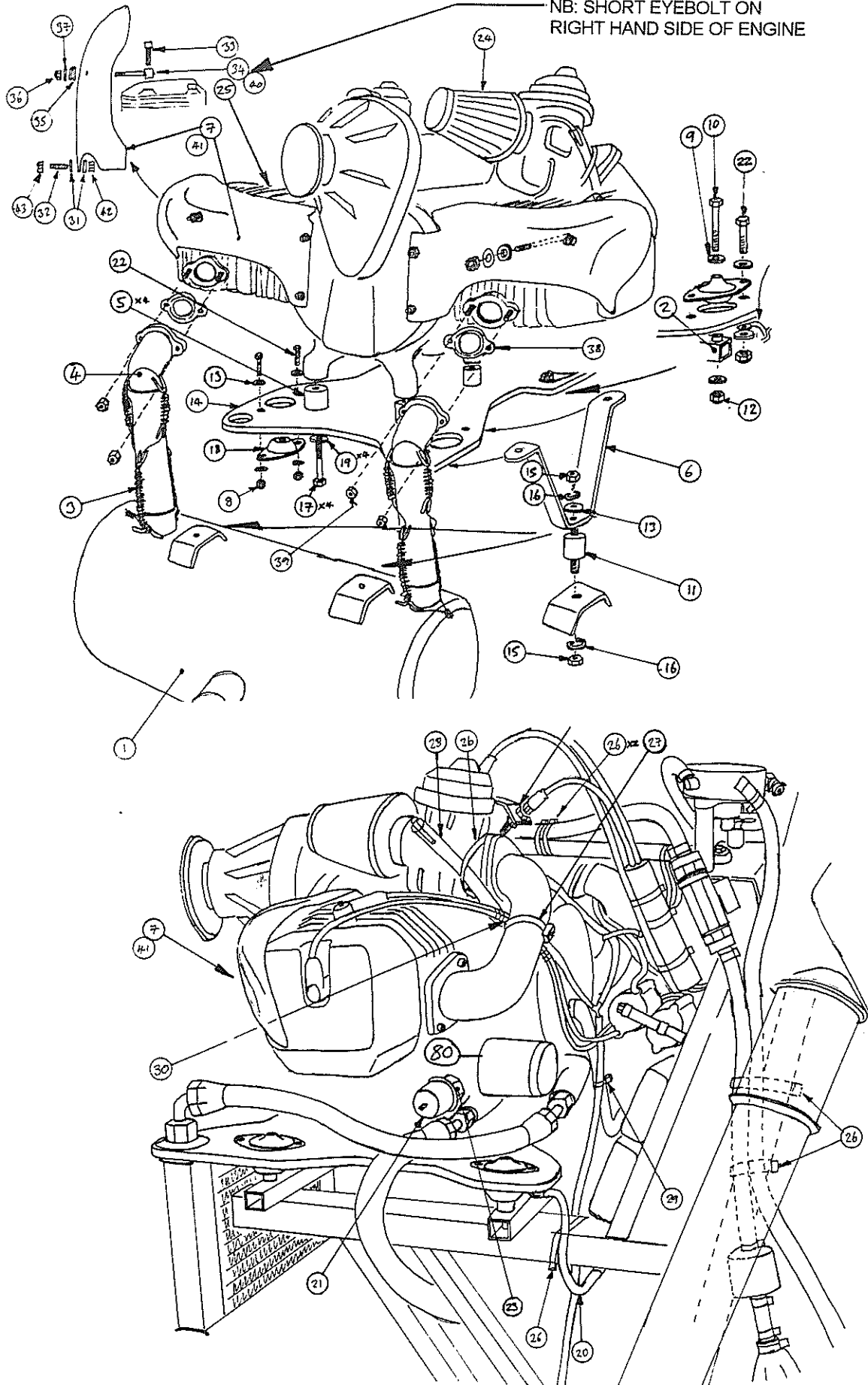


# HKS PROPELLER

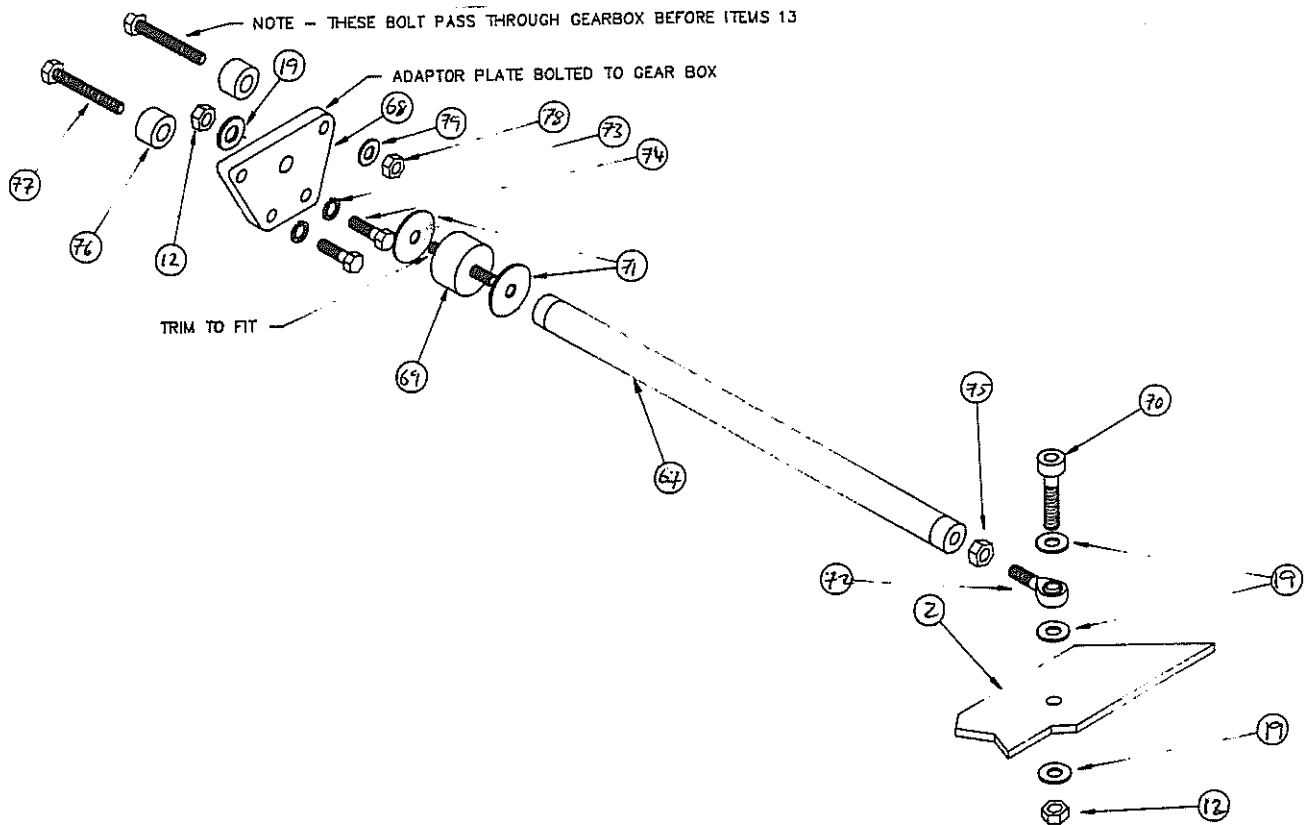
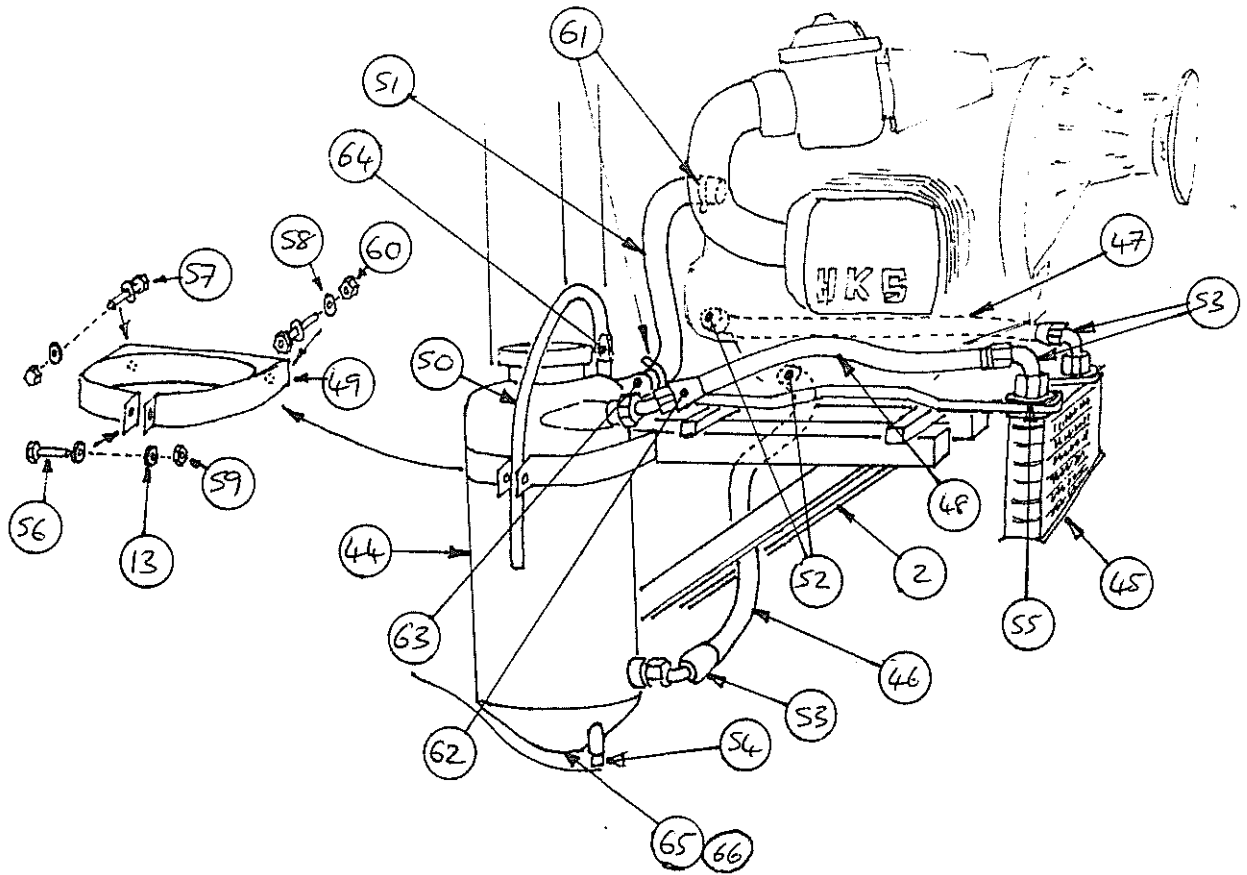
ITEM	PART NUMBER	DESCRIPTION
1	EP166-135R/3	ARPLAST ECOPROP 166/135/R3
2	FWM8-B	8mm FORM B WASHER
3	FNM8-NP	8mm P TYPE NYLOC NUT
4	ZMF-009	PROPELLER BOLT

# HKS POWERPLANT

NB: SHORT EYEBOLT ON  
RIGHT HAND SIDE OF ENGINE



# HKS POWERPLANT



# HKS POWERPLANT

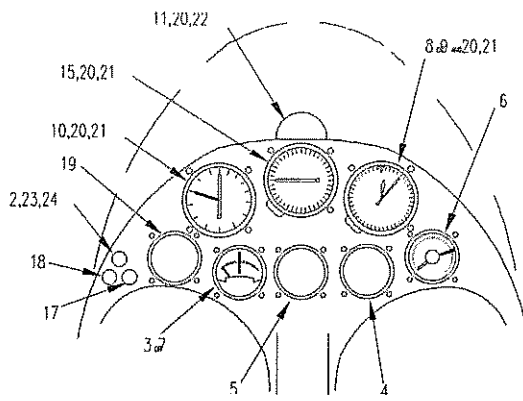
ITEM	PART NUMBER	DESCRIPTION
1	TQC-20300	HKS EXHAUST MUFFLER
2	ZMS-253	ENGINE SUBFRAME
3	HS-009	SPRING
4	TQC-20310	HKS ENGINE MANIFOLD
5	ZSP-066	33mm x 25DIA SPACER (10.1mm HOLE)
6	ZPL-134	EXHAUST BRACKET
7	COM-002	RIGHT HAND CYLINDER HEAD AIR SCOOP
8	FNM8-NT	M8 T TYPE NYLOC NUT
9	FWM10-B	M10 FORM B WASHER
10	FBM10-85	M10 x 85mm HEX HT BOLT
11	EVI-005	RUBBER MOUNT (2 x M8 BOLT)
12	FNM10-NT	M10 T TYPE NYLOC NUT
13	FWM8-B	M8 FORM B WASHER
14	ZPL-126	ENGINE MOUNTING PLATE
15	FNM8-G8	M8 PLAIN NUT
16	FWM8-SW	M8 SPRING WASHER
17	FBM10-70/1	M10 x 70mm FINE HEX HT BOLT
18	100640	ENGINE MOUNT
19	FWM10-B	M10 FORM B WASHER
20	LC-029	EARTH CABLE
21	IES-7	OIL PRESSURE SENDER
22	FBM8-25	M8 x 25mm HEX HT BOLT
23	EFLC-14	3/8" TO 1/8" PIPE BUSHING REDUCER
24	TQB-90523	AIR FILTER
25	PP-700E/1	HKS 700E ENGINE
26	HTW-003	CABLE TIE (WHITE, MEDIUM)
27	HTW-006	CABLE TIE (LARGE, BLACK)
28	PTI16-001	3/8" x 1/16" WALL CLEAR PVC TUBE
29	HTW-004	CABLE TIE (BLACK, MEDIUM)
30	HSW-001	SPIRAL CABLE WRAP 13mm
31	FW4-T4	1/4" T4LP WASHER
32	ZMF-028	HIGH TENSILE STUD 52mm
33	FCM5-35	M5 x 35mm CAP HEAD SET SCREW
34	ZMF-025	M5 x 75mm OFFSET EYE BOLT
35	PMM-015	PVC STANDARD GROMMET
36	FNM5-NT	M5 T TYPE NYLOC NUT
37	FW3-T3	3/16" T3LP WASHER
38		STAINLESS STEEL GASKET
39	94110-081208	NUT
40	ZMF-026	M5 x 32mm NON STANDARD EYE BOLT
41	COM-001	LEFT HAND CYLINDER HEAD AIR SCOOP
42	FNM8-G8	M6 PLAIN NUT
43	FNM6-NT	M6 T TYPE NYLOC NUT
44	TQC-30200	OIL TANK
45	TAX-026	OIL COOLER
46	EFLH-5	RACING HOSE 5/8" BORE (410mm)
47	EFLH-5	RACING OIL HOSE 5/8" BORE (380mm)

48	EFLH-5	RACING HOSE 5/8" BORE (320mm)
49	TQC-30300	OIL TANK STRAP
50	PTI2-001	1/4" BORE x 1/16" WALL PVC CLEAR HOSE
51	EFLH-6	1/2" BORE OIL TUBE
52	EFLC-13	45DEG HOSE FITTING
53	EFLC-15	90DEG HOSE FITTING
54	IES-4	TEMPERATURE SENDER
55	HS-011	DISC SPRING (De=45, Di=22.4, 1.75THICK)
56	FBM8-30	M8 x 30mm HEX HT BOLT
57	FBM5-30	M5 x 30mm HEX HT BOLT
58	FW3-12	3/16" x 3/4" x 1/16" WASHER
59	FNM8-NP	M8 P TYPE NYLOC NUT
60	FNM5-NP	M5 P TYPE NYLOC NUT
61	HCJ-008	12-20mm HOSE CLIP
62	EFLC-19	STRAIGHT HOSE FITTING
63	EFLC-17	3/8" BSP 12mm TAILPIECE ADAPTOR
64	EFLC-18	1/8" BSP 8mm STRAIGHT CONNECTOR
65	EFLC-16	1/4" BSP BRASS THREAD BLANKING PLUG
66	MAG-001	SOLID STATE MAGNET (25.4 x 6.35 x 6.35)
67	ZMS-258	912 ENGINE THRUST LINK
68	ZPL-127	THRUST LINK PLATE
69	EVI-007	RUBBER MOUNT (2 BOLT)
70	FCM10-35	M10 x 35mm CAP HEAD BOLT
71	100388	M10 x 35mm x 2 WASHER
72	BEA-RE-2	M10 ROD END BEARING
73	FWM6-SW	6mm SPRING WASHER
74	FSM6-20	M6 x 20mm SET SCREW
75	FNM10-G8	M10 WASHER
76	ZSP-067	14mm x 12DIA (6.1mm HOLE) SPACER
77	FCM6-S80	M6 x 80 CAP HEAD SET SCREW
78	FNM6-NP	M6 P TYPE NYLOC NUT
79	FW4-T3	1/4"UNF T3LP WASHER
80	15601-003342	OIL FILTER

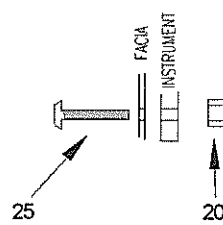
## PLACARDS

PART NUMBER	DESCRIPTION	503	503 LITE	582	582 ES	462	912	HKS
DP-013	FUEL ON/OFF	✓	✓	✓	✓	✓	✓	✓
DP-014	IGNITION ON/OFF	✓	✓	✓	✓	✓	✓	✓
DP-015	WIRING LOOM PLACARD	✓	✓	✓	✓	✓	✓	
DP-016	PROPELLER PITCH	✓	✓	✓	✓	✓	✓	✓
DP-017	IN FLIGHT START	✓	(✓)	✓	✓	✓		
DP-020	STEP HERE						✓	✓
DP-021	NO STEP						✓	✓
DP-022	FUEL CAPACITY 42lt				✓			
DP-025	THROTTLE ON/OFF	✓	✓	✓	✓	✓	✓	✓
DP-040	FUEL CAPACITY 47lt	✓	✓	✓		✓		
DP-044	WARNING O/C CATCH	✓	✓	✓	✓	✓	✓	✓
DP-047	LOWER LEFT CHOKE	✓	✓	✓	✓	✓	✓	✓
DP-048	FUEL CAPACITY 30lt						✓	
DP-050	COMMON MAIN PLACARD	✓	✓	✓	✓	✓	✓	✓
DP-051	COMMON FUEL-4 STROKE							✓
DP-058	MAX TAKE OFF WEIGHT	✓	✓	✓	✓	✓	✓	✓
DP-066	HKS DASH PLACARDS							✓

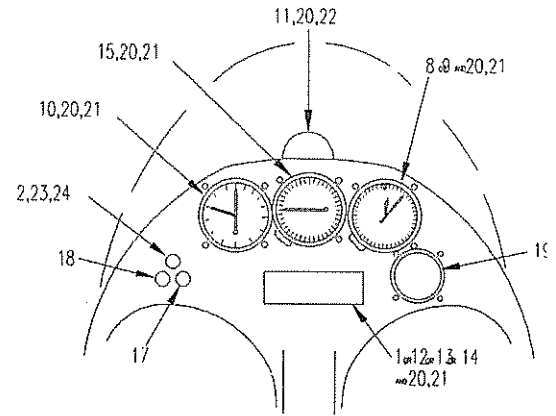
# INSTRUMENTS



**FULL SPEC.**



**FIXINGS (UNLESS STATED)**



**EXECUTIVE SPEC.**

ITEM	PART NUMBER	DESCRIPTION	ECONOMY SPEC.		FULL SPEC.		EXECUTIVE SPEC.			
			503	582	503	582	503	582	912	HKS
1	EIS-A	ENGINE INFO.SYST.								✓
2	IEBSM-2	BATTERY MONITOR	✓	✓	✓	✓	✓	✓	✓	✓
3	IECHT-3	DUAL CHT	✓		✓					
4	IEEGT-2	DUAL EGT			✓	✓				
5	IEHM-2	HOUR METER			✓	✓	✓	✓		
6	IERPM-6	TACHO	✓	✓	✓	✓				
7	IEWT-3	WATER TEMP.		✓		✓				
8	IFALT-1	ALTIMETER	✓	✓						
9	IFALT-4	ALTIMETER			✓	✓	✓	✓	✓	✓
10	IFASI-5	ASI 0-100mph	✓	✓	✓	✓	✓	✓	✓	✓
11	IFCOM-1	STALK COMPASS	✓	✓	✓	✓	✓	✓	✓	✓
12	IFLYD-1	582 FLYDAT °C						✓		
13	IFLYD-3	503 FLYDAT °C					✓			
14	IFLYD-5	912 FLYDAT °C							✓	
15	IFVSI-3	VSI 80mm +/-2000			✓*	✓*	✓*	✓*		✓
16	LD-003	12V LED INDICATOR								✓
17	LS-006	KEY SWITCH								
18	LS-007	PUSH BUTTON SWITCH								
19	EFG-5	LTS ELECTRONIC FUEL GAUGE								
20	FNM4-BX	M4 BRASS BINX NUT								
21	FSM4-25	M5 x 25mm PAN HEAD BRASS SCREW								
22	FSM4-16	M5 x 16mm PAN HEAD BRASS SCREW								
23	VW50-004	50mm BLACK ADHESIVE VELCRO LOOP								
24	VW50-044	50mm BLACK ADHESIVE VELCRO HOOK								
25	FSM4-20	M4 x 20mm HEX SET SCREW								

\* NOT ON ELECTRIC START SPECIFICATIONS



## PARTS KITS

<b>PART NUMBER</b>	<b>DESCRIPTION</b>
KIT-ACS-002	FUEL PRESSURE GAUGE KIT
KIT-ACS-003	CYCLONE CONROD BEARING CLEARANCE TESTER KIT
KIT-ACS-005	PROPELLER BALANCE KIT - 8mm HOLES
KIT-ACS-006	PROPELLER BALANCE KIT - 1/4" HOLES
KIT-BSM	BATTERY STATE MONITOR KIT
KIT-LTS	LTS ELECTRONIC FUEL GAUGE KIT
KIT-LTS-BLANK	LTS ELECTRONIC FUEL GAUGE BLANKING KIT
KIT-QTM-001	REAR STEERING BAR KIT (LONG)
KIT-QTM-002	REAR STEERING BAR KIT (SHORT)
KIT-QTM-003	MAPBOX KIT
KIT-QTM-004	912 ENGINE FITTING KIT
KIT-QTM-005	CHOKE UPGRADE KIT
KIT-QTM-006	TOURING SCREEN KIT
KIT-QTM-007	GAS STRUT KIT
KIT-QTM-008	582 ENGINE FITTING KIT
KIT-QTM-009	POD AND INSTRUMENT PANEL KIT
KIT-QTM-011	DELUXE PULL START KIT
KIT-QTM-012	DELUXE SEAT CUSHION KIT
KIT-QTM-013	582 ELECTRIC START KIT
KIT-QTM-014	FUEL CAP LANYARD KIT
KIT-QTM-015	HKS COOLING SCOOPS AND FITTING KIT
KIT-TRI-001	TRIKE TOWING MIRROR KIT